



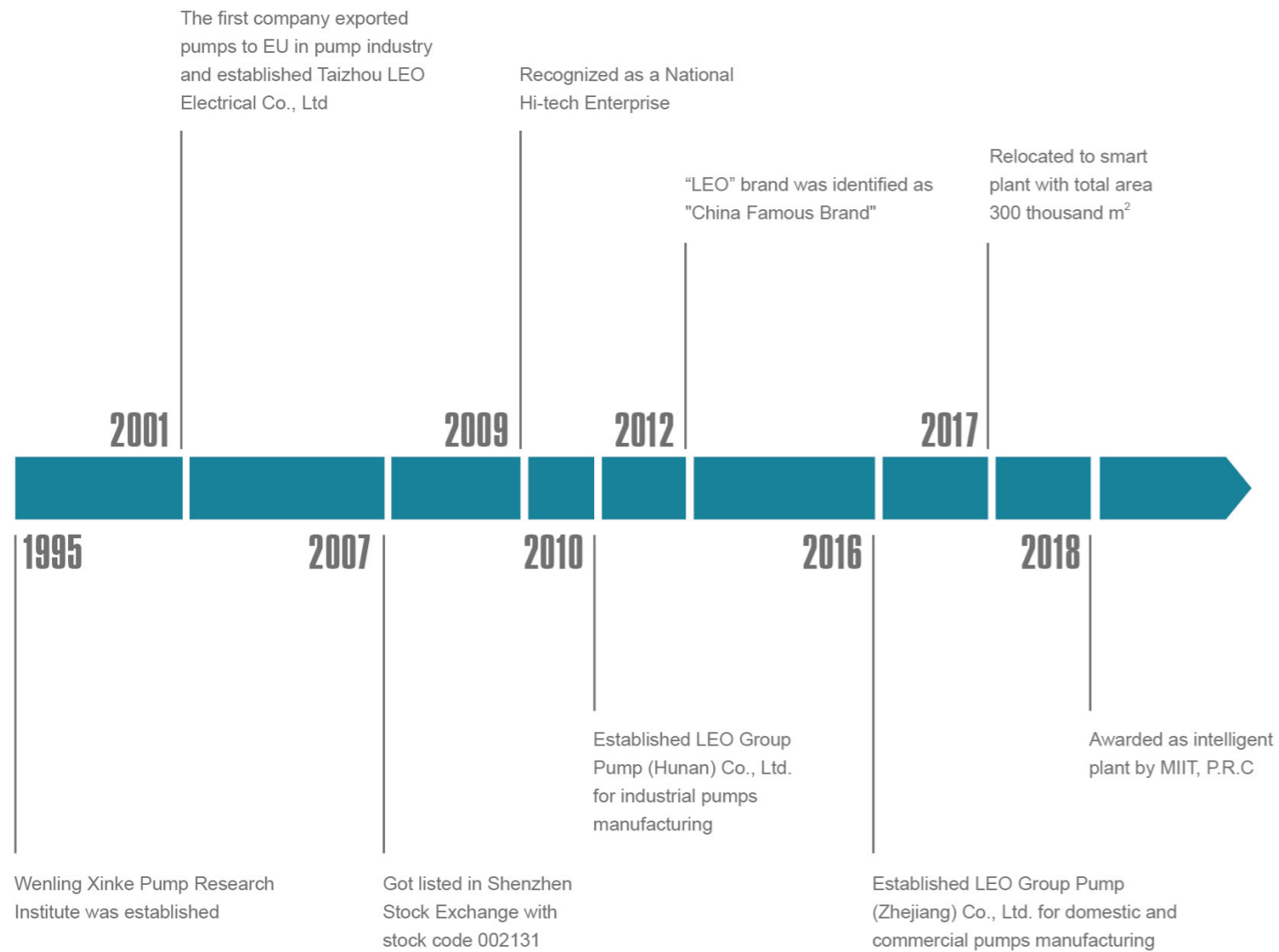
- 01 - - 02 - - 03 - - 04 - - 05 - - 06 - - 07 - - 08 -

Pumps

- Submersible Sewage Pump
- Submersible Dewatering Pump
- Submersible Slurry Pump



HISTORY



TO KNOW LEO

LEO Group (got listed in Shenzhen Stock Exchange with stock code 002131) is a national high-tech enterprise engaged in R&D, design, manufacture, sales and service of all series pumps and systems. LEO is the first listed company in Chinese pump industry, one of the drafters of pump industry standard and the vice president of drainage and irrigation machinery branch of China Agricultural machinery industry association as well. "LEO" has been identified as "China Famous Brand" by the State Administration of Industry and Commerce. It is mentionable that LEO has the only state-authorized technical center in pump industry.

We have set up many production and sales subsidiaries in key regional markets such as America, Hungary, Belgium, Thailand, Indonesia, United Arab Emirates and Bangladesh and authorized exclusive distribution agency in over 100 countries.

Our products have been sold to over 140 countries and regions, such as Europe, North America, Central & South America, Southeast Asia, Middle East, Africa, Oceania, etc., which play a crucial role in water conservancy, water resources, electric power construction, petrochemical industry, mining, metallurgy, fire-fighting, HVAC (Heating, Ventilation and Air Conditioning), agricultural irrigation, civil water supply and drainage, etc.

LEO has currently two industrial groups respectively for industrial and civilian applications. With four manufacturing bases in Wenling of Zhejiang, Xiangtan of Hunan, Wuxi of Jiangsu and Dalian of Liaoning, LEO possesses a solid foundation to become a world-class pump and system solution provider rapidly.

With over 70 years' professional technology, LEO will continue her consistent creativity and development ability in each pump for human's health.



NUMEROUS MEMBERS, ONE FAMILY

Based on market segment, LEO's pump business is divided into 5 fields, namely water conservancy & water resources, power station, petrochemical industry, mining & metallurgical industry and civilian applications. For each field there's a professional manufacturing base with relevant professional sales teams. Three subsidiary companies, Wuxi LEO Xi Pump, LEO Group Pump (Hunan) and Dalian LEO Pump are all well-known industrial pump manufacturers in their own fields. With over 70 years' industrial pump manufacturing experience and extraordinary comprehensive strength, LEO has become a leading company among all industrial pump manufacturers in China.



Pump Manufacturing Base for Domestic and Commercial Applications (Wenling City, Zhejiang Province)

LEO Group Pump (Zhejiang) Co., Ltd, a wholly-owned subsidiary of LEO Group Co., Ltd, is the core base for R&D, manufacturing, sales and service of domestic and commercial pumps for family water supply, pipeline boosting, garden and field irrigation, HVAC, etc.

The leading products include peripheral pump, jet pump, centrifugal pump, garden submersible pump, fountain pump, pool pump, doestic lifting station, gasoline engine pump, diesel engine pump, submersible pump, submersible borehole pump, submersible sewage pump, stainless steel vertical multistage pump, etc.

The product range covers 15 series with over 2,000 specifications, which are well sold in more than 120 countries and regions. The base has established steady cooperative relationships with world-class pump manufacturers, importers, dealers and hypermarkets.



Pump Manufacturing Base for General Industrial Pumps (Xiangtan City, Hunan Province)

Established in 2010, LEO Group Pump (Hunan) Co., Ltd. is a wholly-owned subsidiary by LEO Group Co., Ltd. Located in Jiuhua Economic Development Zone of Xiangtan City, Hunan Province. Covers an area of 85,000m² and construction area is about 92,635 m² with total investment of approximately 74 million dollars. It is the most important R&D, manufacturing and testing center of LEO Group. The leading products include large mixed flow and axial flow pump (vertical, horizontal, oblique, tubular, submersible etc.), double-suction centrifugal pump, multistage centrifugal pump, slurry pump, desulphurization pump and submersible centrifugal pump. Products are mainly used in mine, metallurgy, coal washing, FGD, municipal water etc.



Pump Manufacturing Base for Water Conservancy & Water Resources (Wuxi City, Jiangsu Province)

Formerly known as Wuxi Xi Pump Manufacturing Co., Ltd., a well-known manufacturer of water conservancy, is specialized in large and medium-sized pumps production for urban water supply and drainage, farmland irrigation, water conservancy projects and large water diversion project. The main products cover 32 series with nearly 1000 specifications. Products exported to more than 20 countries in Asia, Latin-America, Europe and Oceania.

As a main supplier, the base provides large pumps for South-to-North Water Diversion Project—a national key project. There are over 140 technicians, including 1 professor level senior engineer, 16 senior engineers, and 39 engineers.



Pump Manufacturing Base for Petrochemical Industry (Dalian City, Liaoning Province)

It is the pump manufacturing base for petrochemical industry, combined with Dalian LEO Huaneng Pump Co., Ltd and LEO (Dalian) Industrial Pump Technology Center Co., Ltd.

Formerly known as Dalian Huaneng Corrosion-Resistant Pump Works, the base is specialized in production of petrochemical pumps for crude oil transportation, crude oil refinery, heavy chemical industry, coal chemical industry and fine chemistry, etc. The base focuses on design and manufacture of 30 series (OH, BB, VS, etc.) of petrochemical pumps with over 3000 specifications, which are in accordance with API and ISO standard.

LEO (Dalian) Industrial Pump Technology Center Co., Ltd. is one of the research branch of national level technology center for petrochemical pumps, specializes in R&D, design of pumps of petro chemistry, coal chemical industry, long-distance transport pipes, energy resources, fine chemicals industry, etc. Design and develop software and large laboratories, explore liquid transport schemes under severe conditions and solve the difficult projects of ultralow temperature, high temperature, high pressure, low cavitation, highly corrosive, energy recovery, etc.



Applications

- Drainage of wastewater from the attenuation tank, purifying tank and sewage tank in water treatment plant
- Drainage of waste water containing fibrous additives from leather factory and food processing factory.
- Sewage management, accumulated water, septic tank, stock farm.
- Pumping sewage form hotels, restaurants, schools and public buildings

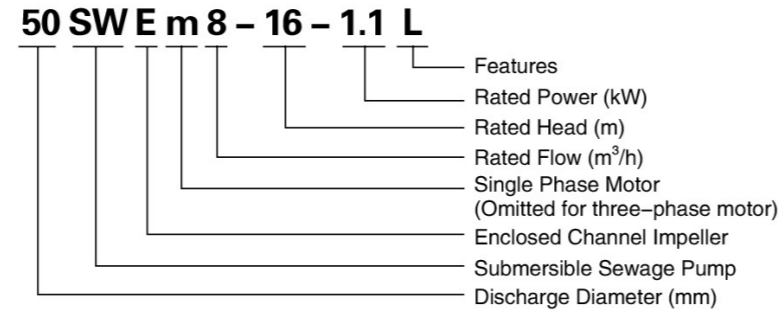
Pump

- High-efficiency & anti-clogging enclosed channel impeller
- Flexible installations with hoses, pipes or quick-coupling systems
- Float switch as standard accessory for single phase ($\leq 1.1\text{kw}$)
- Double-end mechanical seal
- Stainless steel welded shaft
- Liquid temperature: 0 - 40 °C
- Liquid PH value: 4 - 10
- Max. immersion depth: 5 m

Motor

- Frequency/Pole number: 50 Hz/2
- Insulation class: F
- Protection class: IPX8
- Bearing: Ball type

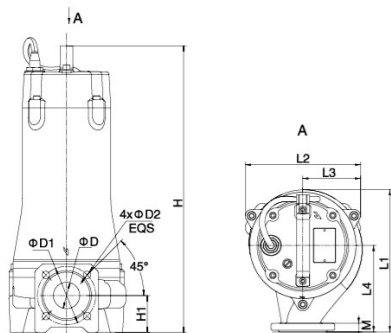
Identification Codes



Technical Data

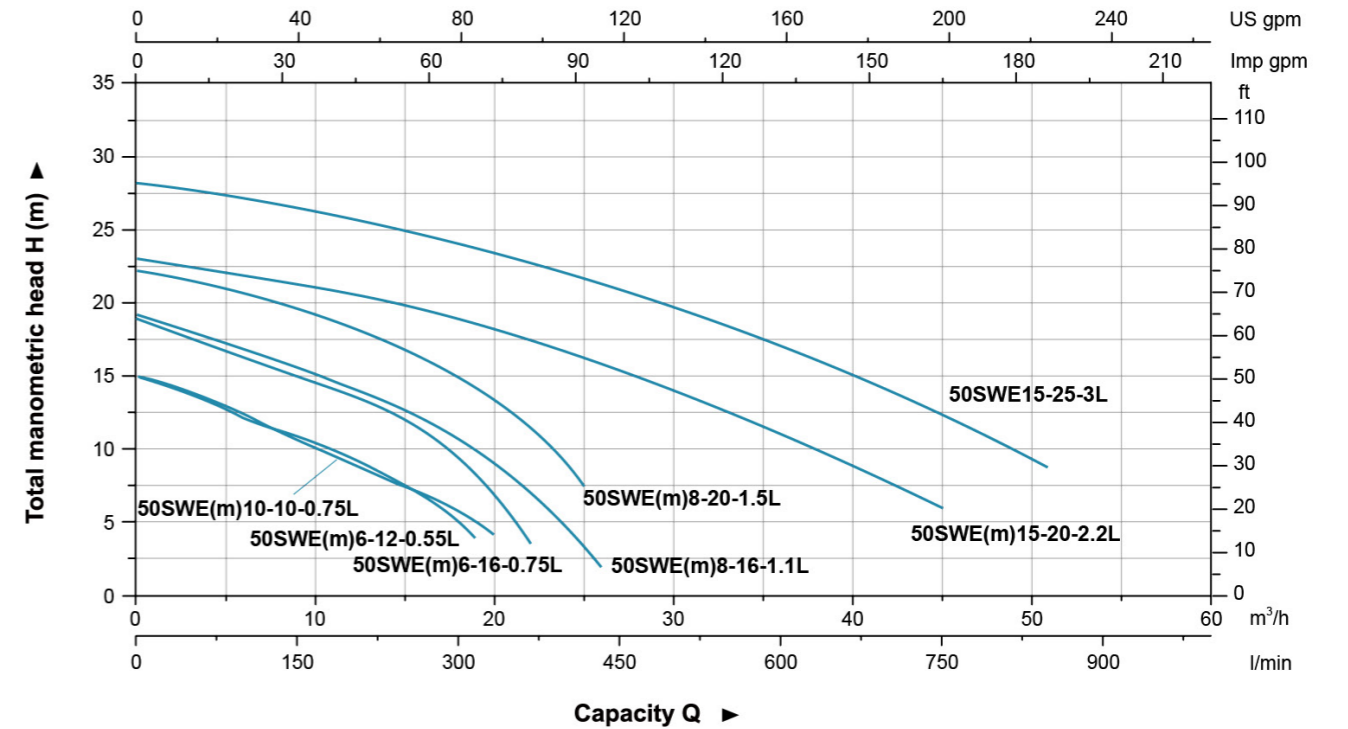
Model		Discharge mm (inch)	Power		Rated Flow (m ³ /h)	Max. Flow (m ³ /h)	Rated Head (m)	Max. Head (m)	Max. Solid Dia (mm)
Single Phase	Three Phase		kW	HP					
50SWEm6-12-0.55L	50SWE6-12-0.55L	50 (2")	0.55	0.75	6	19	12	15	20
50SWEm6-16-0.75L	50SWE6-16-0.75L	50 (2")	0.75	1	6	22	16	19	20
50SWEm10-10-0.75L	50SWE10-10-0.75L	50 (2")	0.75	1	10	20	10	15	20
50SWEm8-16-1.1L	50SWE8-16-1.1L	50 (2")	1.1	1.5	8	26	16	19	15
50SWEm8-20-1.5L	50SWE8-20-1.5L	50 (2")	1.5	2	8	25	20	22	15
50SWEm15-20-2.2L	50SWE15-20-2.2L	50 (2")	2.2	3	15	45	20	23	25
-	50SWE15-25-3L	50 (2")	3	4	15	51	25	27	25

Dimension



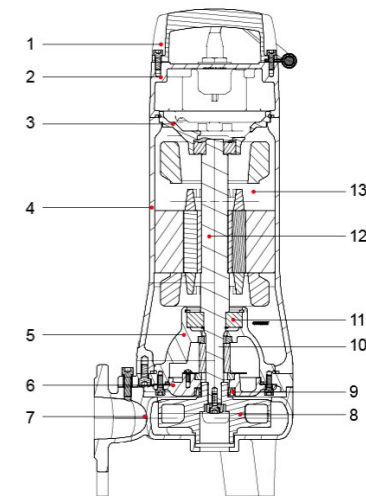
Model		L1	L2	L3	L4	H		H1	D	D1	D2	M
Single Phase	Three Phase					1~	3~					
50SWEm6-12-0.55L	50SWE6-12-0.55L	212	184	96	120	461	461	65	45	110	14	14
50SWEm6-16-0.75L	50SWE6-16-0.75L					479	479					
50SWEm10-10-0.75L	50SWE10-10-0.75L	210	191	135	135	570	529	47	110	14	16	16
50SWEm8-16-1.1L	50SWE8-16-1.1L	223	191	135	135	571	530	70	50	110	14	16
50SWEm8-20-1.5L	50SWE8-20-1.5L	227	191	135	135	570	529	70	50	110	14	16
50SWEm15-20-2.2L	50SWE15-20-2.2L	268	221	112	163	571	530	70	50	110	14	16
-	50SWE15-25-3L	268	221	112	163	571	530	70	50	110	14	16

Hydraulic Performance Curves



Materials Table

No.	Part	Material
1	Handle	ZG45
2	Upper cover	HT200
3	Upper bearing seat	HT200
4	Motor body	HT200
5	Oil chamber	HT200
6	Pump cover	HT200
7	Pump body	HT200
8	Impeller	HT200
9	Oil seal	
10	Mechanical seal	Upper SiC/Carbon Lower SiC/SiC
11	Bearing	
12	Rotor	
13	Stator	



Package Information

Model		GW (kg)		L (mm)	W (mm)	H (mm)	Quantity (PCS/20' TEU)
Single Phase	Three Phase	1~	3~				
50SWEm6-12-0.55L	50SWE6-12-0.55L	24.7	24	746	254	286	544
50SWEm6-16-0.75L	50SWE6-16-0.75L	26	25.3	746	254	286	544
50SWEm10-10-0.75L	50SWE10-10-0.75L	25.8	25	746	254	286	544
50SWEm8-16-1.1L	50SWE8-16-1.1L	33.6	31.7	749	289	368	354
50SWEm8-20-1.5L	50SWE8-20-1.5L	43.2	38.4	924	284	363	294
50SWEm15-20-2.2L	50SWE15-20-2.2L	44.9	46.3	924	284	363	294
-	50SWE15-25-3L	-	49.5	874	284	363	316



Applications

- Drainage of wastewater from the attenuation tank, purifying tank and sewage tank in water treatment plant
- Drainage of waste water containing fibrous additives from leather factory and food processing factory.
- Sewage management, accumulated water, septic tank, stock farm.
- Pumping sewage form hotels, restaurants, schools and public buildings

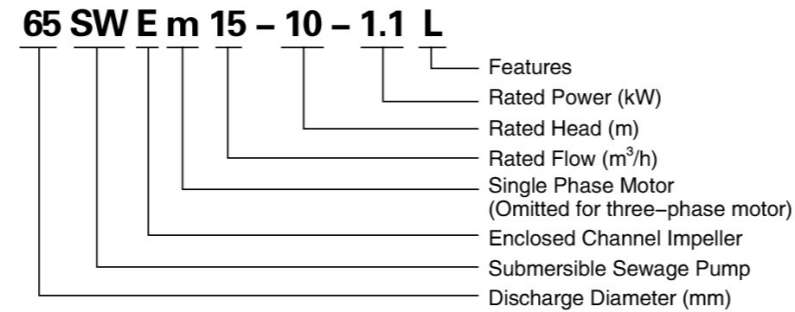
Pump

- High-efficiency & anti-clogging enclosed channel impeller
- Flexible installations with hoses, pipes or quick-coupling systems
- Float switch as standard accessory for single phase ($\leq 1.1\text{kW}$)
- Double-end mechanical seal
- Stainless steel welded shaft
- Liquid temperature: 0 - 40 °C
- Liquid PH value: 4 - 10
- Max. immersion depth: 5 m

Motor

- Frequency/Pole number: 50 Hz/2
- Insulation class: F
- Protection class: IPX8
- Bearing: Ball type

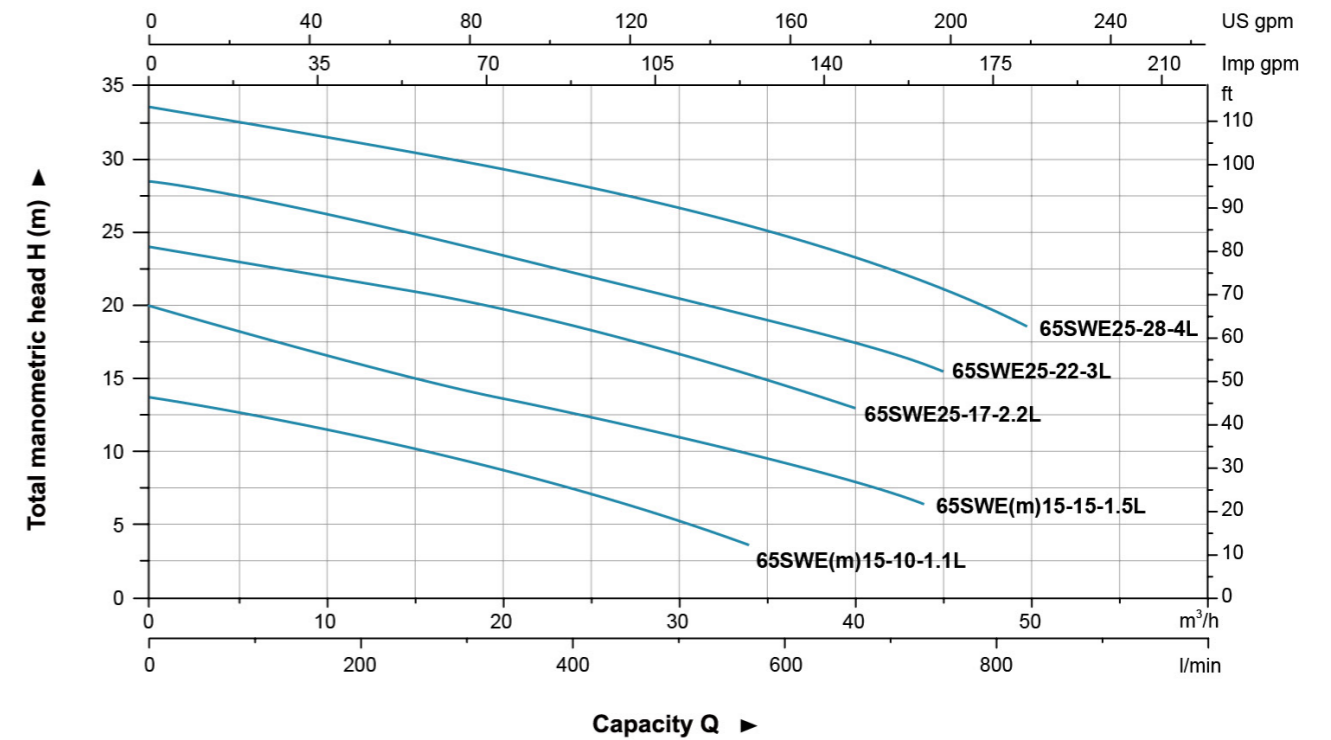
Identification Codes



Technical Data

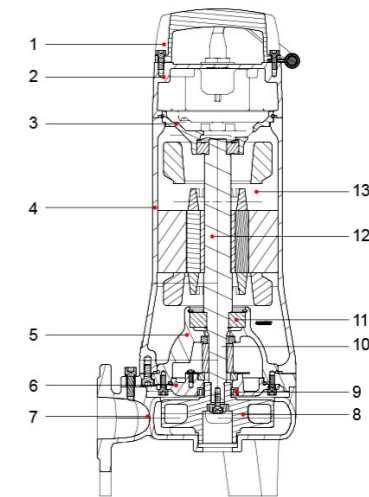
Model		Discharge mm (inch)	Power		Rated Flow (m ³ /h)	Max. Flow (m ³ /h)	Rated Head (m)	Max. Head (m)	Max. Solid Dia (mm)
Single Phase	Three Phase		kW	HP					
65SWEm15-10-1.1L	65SWE15-10-1.1L	65 (2.5")	1.1	1.5	15	34	10	14	25
65SWEm15-15-1.5L	65SWE15-15-1.5L	65 (2.5")	1.5	2	15	44	15	20	25
-	65SWE25-17-2.2L	65 (2.5")	2.2	3	25	40	17	24	25
-	65SWE25-22-3L	65 (2.5")	3	4	25	45	22	28.5	25
-	65SWE25-28-4L	65 (2.5")	4	5.5	25	50	28	31.5	25

Hydraulic Performance Curves



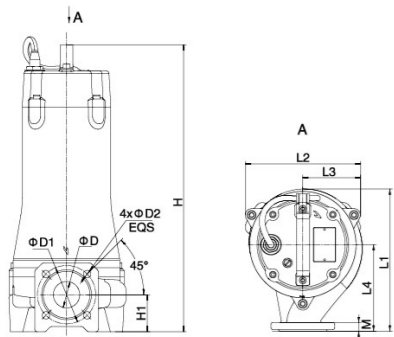
Materials Table

No.	Part	Material
1	Handle	ZG45
2	Upper cover	HT200
3	Upper bearing seat	HT200
4	Motor body	HT200
5	Oil chamber	HT200
6	Pump cover	HT200
7	Pump body	HT200
8	Impeller	HT200
9	Oil seal	
10	Mechanical seal	Upper:SiC/Carbon Lower:SiC/SiC
11	Bearing	
12	Rotor	
13	Stator	



Dimension

Model		L1	L2	L3	L4	H		H1	D	D1	D2	M
Single Phase	Three Phase					1~	3~					
65SWEm15-10-1.1L	65SWE15-10-1.1L	288				490	490					
65SWEm15-15-1.5L	65SWE15-15-1.5L					581	540					
-	65SWE25-17-2.2L	289	225	117	178	-	540	77.5	65	130	14	16
-	65SWE25-22-3L											
-	65SWE25-28-4L						571					



Package Information

Model		GW (kg)		L (mm)	W (mm)	H (mm)	Quantity (PCS/20'TEU)
Single Phase	Three Phase	1~	3~				
65SWEm15-10-1.1L	65SWE15-10-1.1L	37.9	35.8	749	289	368	354
65SWEm15-15-1.5L	65SWE15-15-1.5L	45.7	41.9	924	284	363	294
-	65SWE25-17-2.2L	-	44.1	924	284	363	294
-	65SWE25-22-3L	-	52	874	284	363	316
-	65SWE25-28-4L	-	55.1	874	284	363	316



Impeller

(Hose coupling as standard.
Flange elbow is available on request.)

Applications

- Drainage of wastewater from the attenuation tank, purifying tank and sewage tank in water treatment plant
- Drainage of waste water containing fibrous additives from leather factory and food processing factory.
- Sewage management, accumulated water, septic tank, stock farm.
- Pumping sewage form hotels, restaurants, schools and public buildings

Pump

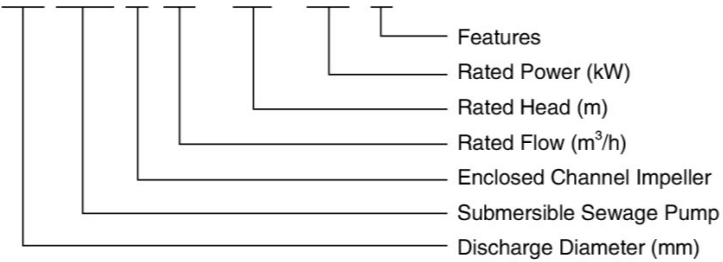
- High-efficiency & anti-clogging enclosed channel impeller
- Flexible installations with hoses, pipes or quick-coupling systems
- Double-end mechanical seal
- Stainless steel welded shaft
- Liquid temperature: 0 - 40 °C
- Liquid PH value: 4 - 10
- Max. immersion depth: 5 m

Motor

- Frequency/Pole number: 50 Hz/2
- Insulation class: F
- Protection class: IPX8
- Bearing: Ball type

Identification Codes

80 SW E 40 - 9 - 2.2 L

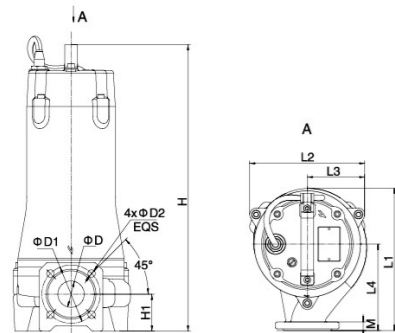


Technical Data

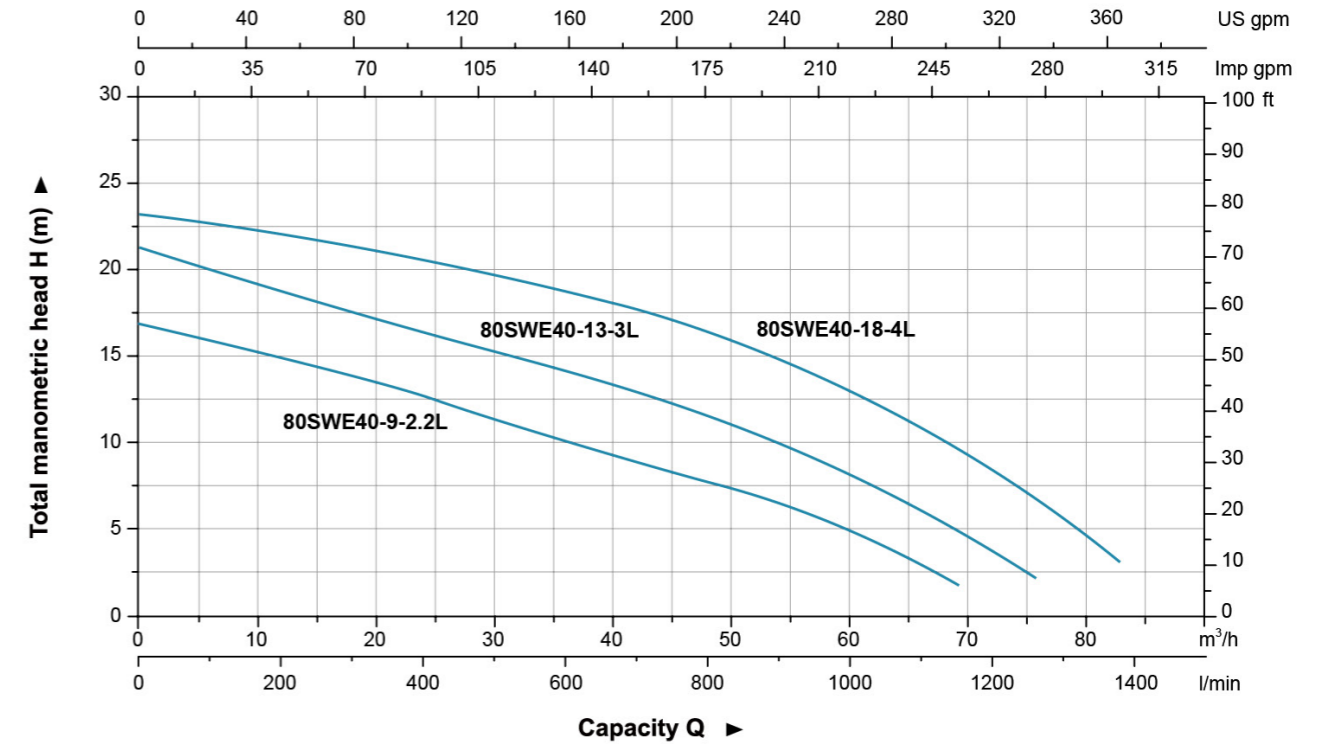
Model	Discharge mm (inch)	Power		Rated Flow (m³/h)	Max. Flow (m³/h)	Rated Head (m)	Max. Head (m)	Max. Solid Dia (mm)
		kW	HP					
80SWE40-9-2.2L	80(3")	2.2	3	40	69.5	9	17	30
80SWE40-13-3L	80(3")	3	4	40	76	13	21	30
80SWE40-18-4L	80(3")	4	5.5	40	83	18	23	30

Dimension

Model	L1	L2	L3	L4	H	H1	D	D1	D2	M
80SWE40-9-2.2L										
80SWE40-13-3L	265	223	112	160	557	86	80	150	18	16
80SWE40-18-4L										

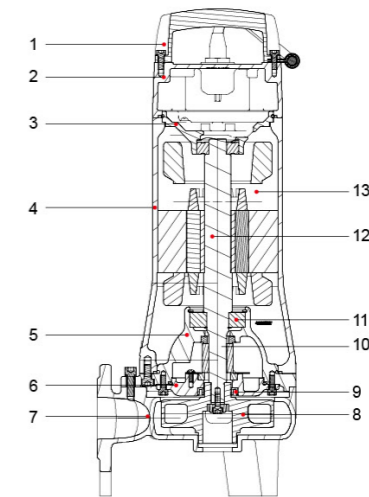


Hydraulic Performance Curves



Materials Table

No.	Part	Material
1	Handle	ZG45
2	Upper cover	HT200
3	Upper bearing seat	HT200
4	Motor body	HT200
5	Oil chamber	HT200
6	Pump cover	HT200
7	Pump body	HT200
8	Impeller	HT200
9	Oil seal	
10	Mechanical seal	Upper:SiC/Carbon Lower:SiC/SiC
11	Bearing	
12	Rotor	
13	Stator	



Package Information

Model	GW (kg)	L (mm)	W (mm)	H (mm)	Quantity (PCS/20'TEU)
80SWE40-9-2.2L	46.4	924	284	363	294
80SWE40-13-3L	53.8	874	284	363	316
80SWE40-18-4L	56.3	874	284	363	316



Applications

- Drainage of wastewater from the attenuation tank, purifying tank and sewage tank in water treatment plant
- Drainage of waste water containing fibrous additives from leather factory and food processing factory.
- Sewage management, accumulated water, septic tank, stock farm.
- Pumping sewage form hotels, restaurants, schools and public buildings

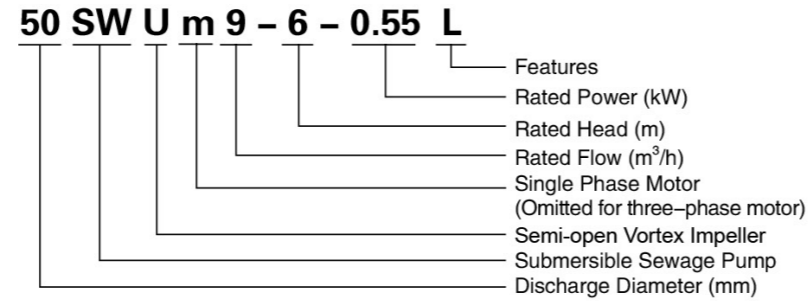
Pump

- Semi-open vortex impeller, suitable for liquid containing impurities and long fiber substance
- Flexible installations with hoses, pipes or quick-coupling systems
- Float switch as standard accessory for single phase ($\leq 1.1\text{kW}$)
- Double-end mechanical seal
- Stainless steel welded shaft
- Liquid temperature: 0 - 40 °C
- Liquid PH value: 4 - 10
- Max. immersion depth: 5 m

Motor

- Frequency/Pole number: 50 Hz/2
- Insulation class: F
- Protection class: IPX8
- Bearing: Ball type

Identification Codes

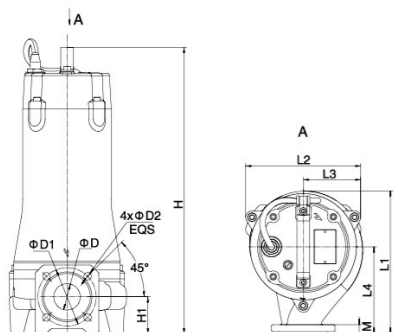


Technical Data

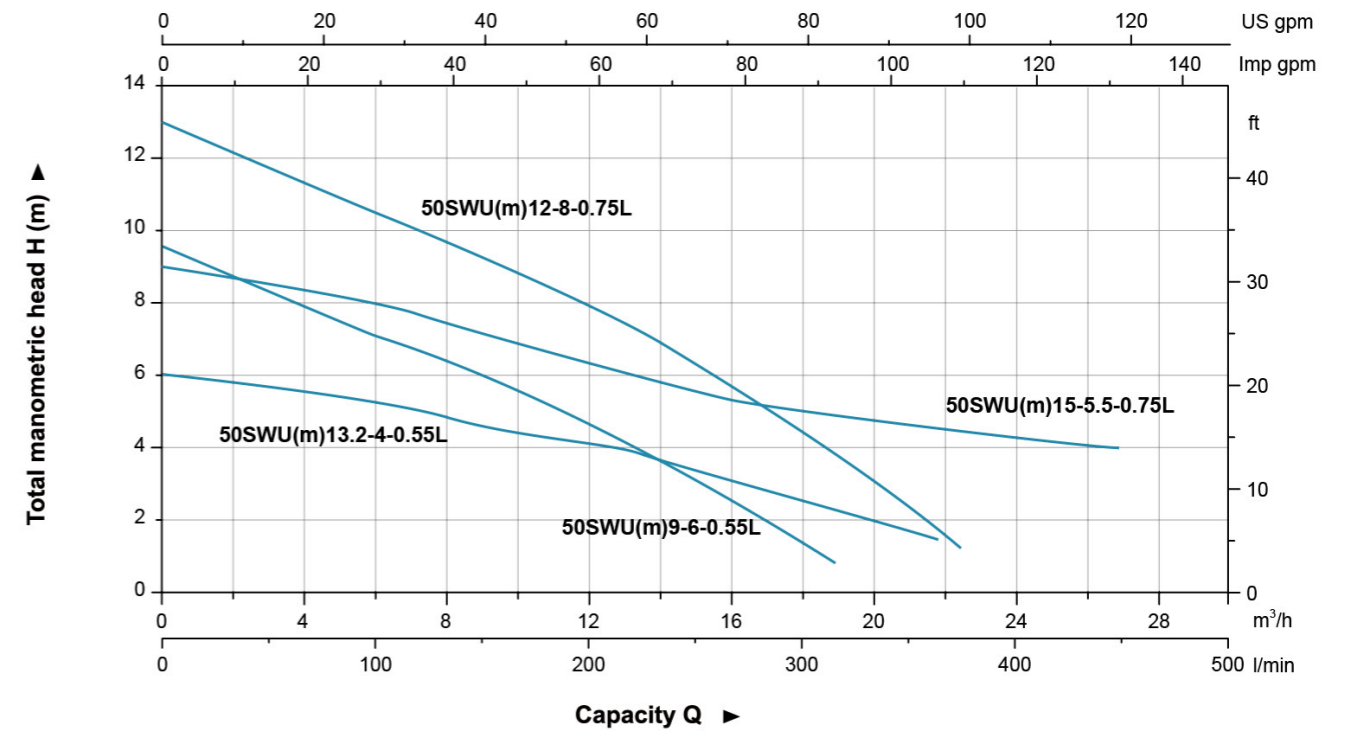
Model		Discharge mm (inch)	Power		Rated Flow (m³/h)	Max. Flow (m³/h)	Rated Head (m)	Max. Head (m)	Max. Solid Dia (mm)
Single Phase	Three Phase		kW	HP					
50SWUm9-6-0.55L	50SWU9-6-0.55L	50 (2")	0.55	0.75	9	19	6	9.5	35
50SWUm13.2-4-0.55L	50SWU13.2-4-0.55L	50 (2")	0.55	0.75	13	22	4	6	50
50SWUm12-8-0.75L	50SWU12-8-0.75L	50 (2")	0.75	1	12	22.5	8	13	35
50SWUm15-5.5-0.75L	50SWU15-5.5-0.75L	50 (2")	0.75	1	15	27	5.5	9	50

Dimension

Model		L1	L2	L3	L4	H	H1	D	D1	D2	M
Single Phase	Three Phase										
50SWUm9-6-0.55L	50SWU9-6-0.55L	195	160	80	121	483	64	35	110	14	14
50SWUm13.2-4-0.55L	50SWU13.2-4-0.55L	201	166	86		508	79	50			
50SWUm12-8-0.75L	50SWU12-8-0.75L	195	160	80		483	64	35			
50SWUm15-5.5-0.75L	50SWU15-5.5-0.75L	201	166	86		508	79	50			

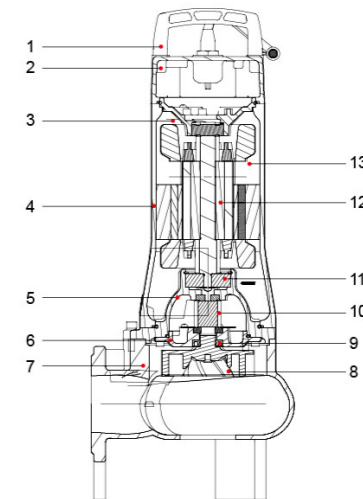


Hydraulic Performance Curves



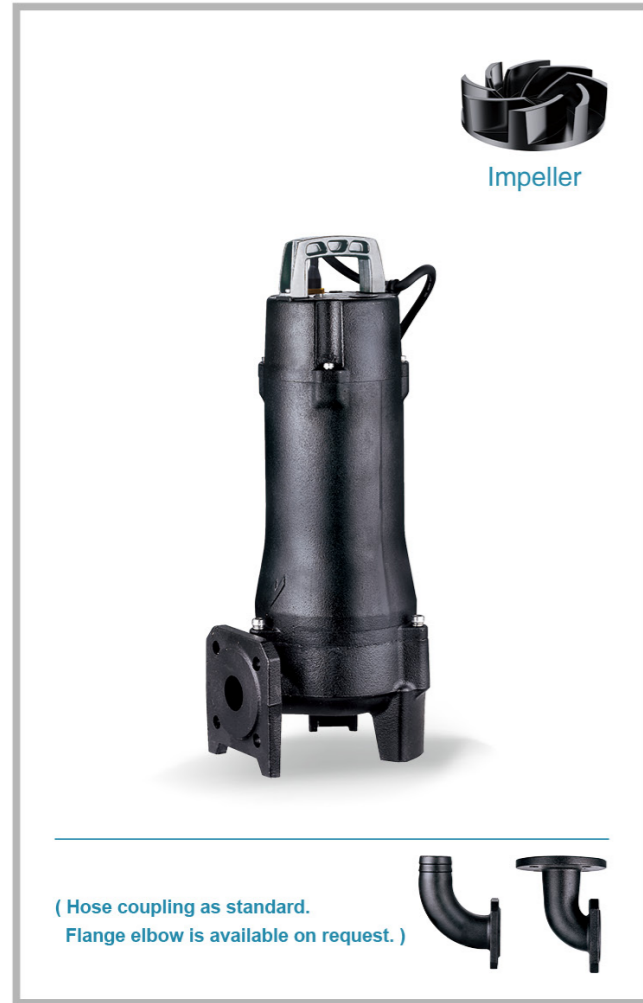
Materials Table

No.	Part	Material
1	Handle	ZG45
2	Upper cover	HT200
3	Upper bearing seat	HT200
4	Motor body	HT200
5	Oil chamber	HT200
6	Pump cover	HT200
7	Pump body	HT200
8	Impeller	HT200
9	Oil seal	
10	Mechanical seal	Upper:SiC/Carbon Lower:SiC/SiC
11	Bearing	
12	Rotor	
13	Stator	



Package Information

Model		GW (kg)		L (mm)	W (mm)	H (mm)	Quantity (PCS/20'TEU)
Single Phase	Three Phase	1~	3~				
50SWUm9-6-0.55L	50SWU9-6-0.55L	24.6	23.9	746	254	286	544
50SWUm13.2-4-0.55L	50SWU13.2-4-0.55L	25.1	24.3	746	254	286	544
50SWUm12-8-0.75L	50SWU12-8-0.75L	25.9	25.2	746	254	286	544
50SWUm15-5.5-0.75L	50SWU15-5.5-0.75L	26.4	25.6	746	254	286	544



Impeller

(Hose coupling as standard.
Flange elbow is available on request.)

Applications

- Drainage of wastewater from the attenuation tank, purifying tank and sewage tank in water treatment plant
- Drainage of waste water containing fibrous additives from leather factory and food processing factory.
- Sewage management, accumulated water, septic tank, stock farm.
- Pumping sewage form hotels, restaurants, schools and public buildings

Pump

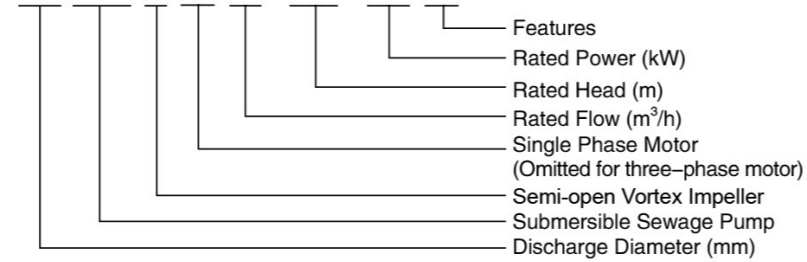
- Semi-open vortex impeller, suitable for liquid containing impurities and long fiber substance
- Flexible installations with hoses, pipes or quick-coupling systems
- Double-end mechanical seal
- Stainless steel welded shaft
- Liquid temperature: 0 - 40 °C
- Liquid PH value: 4 - 10
- Max. immersion depth: 5 m

Motor

- Frequency/Pole number: 50 Hz/2
- Insulation class: F
- Protection class: IPX8
- Bearing: Ball type

Identification Codes

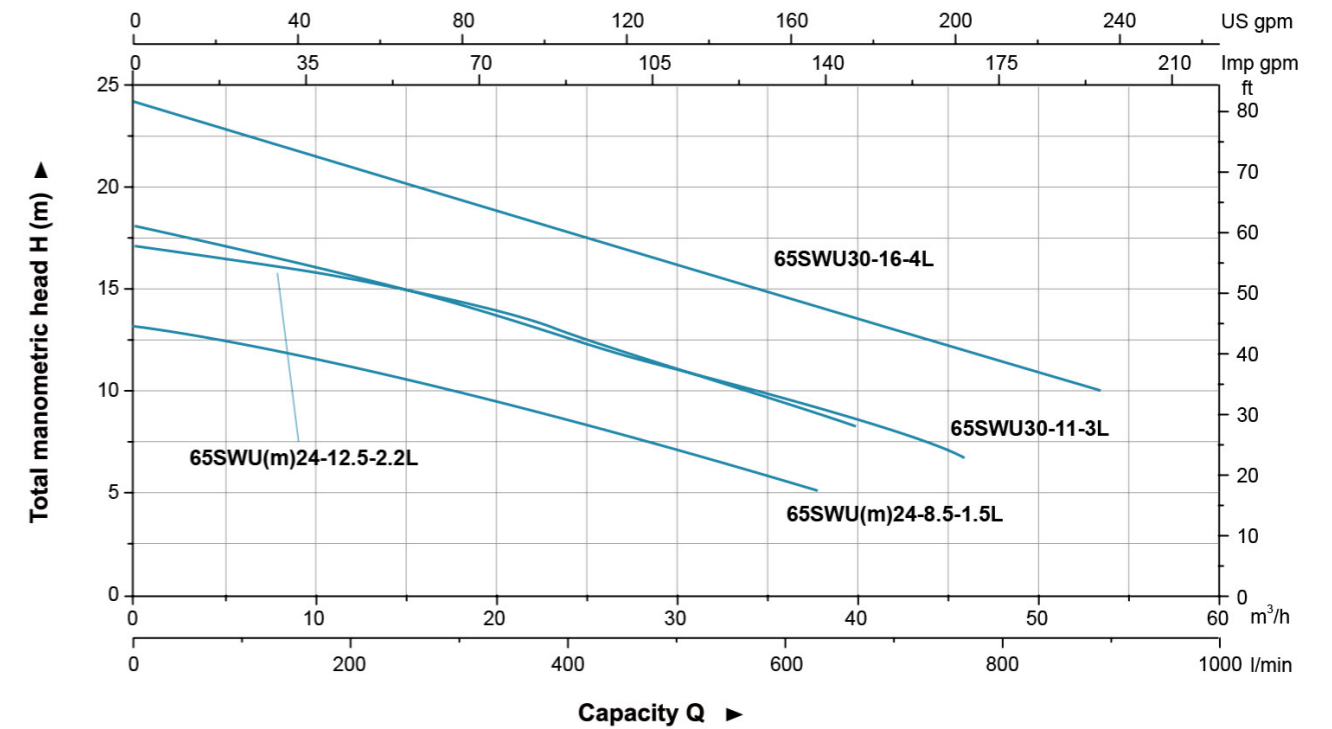
65 SW U m 24-8.5-1.5 L



Technical Data

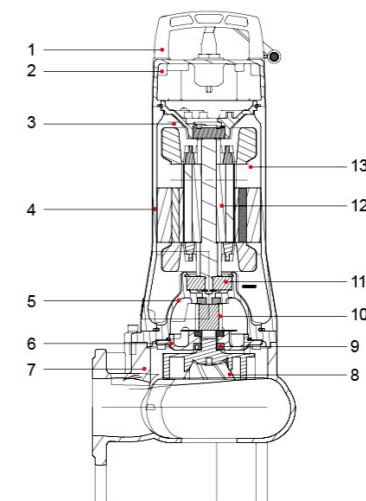
Model		Discharge mm (inch)	Power		Rated Flow (m³/h)	Max. Flow (m³/h)	Rated Head (m)	Max. Head (m)	Max. Solid Dia (mm)
Single Phase	Three Phase		kW	HP					
65SWUm24-8.5-1.5L	65SWU24-8.5-1.5L	65 (2.5")	1.5	2	24	38	8.5	13	55
65SWUm24-12.5-2.2L	65SWU24-12.5-2.2L	65 (2.5")	2.2	3	24	40	12.5	17	55
-	65SWU30-11-3L	65 (2.5")	3	4	30	46	11	18	55
-	65SWU30-16-4L	65 (2.5")	4	5.5	30	54	16	24	55

Hydraulic Performance Curves



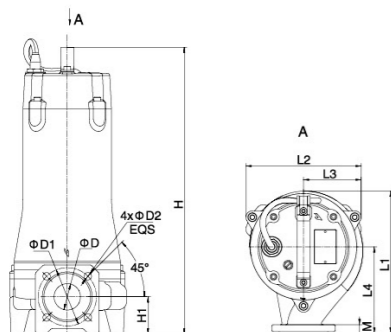
Materials Table

No.	Part	Material
1	Handle	ZG45
2	Upper cover	HT200
3	Upper bearing seat	HT200
4	Motor body	HT200
5	Oil chamber	HT200
6	Pump cover	HT200
7	Pump body	HT200
8	Impeller	HT200
9	Oil seal	
10	Mechanical seal	Upper:SiC/Carbon Lower:SiC/SiC
11	Bearing	
12	Rotor	
13	Stator	



Dimension

Model		L1	L2	L3	L4	H		H1	D	D1	D2	M
Single Phase	Three Phase					1~	3~					
65SWUm24-8.5-1.5L	65SWU24-8.5-1.5L	266	218	110	167	631	590	91	65	130	14	16
65SWUm24-12.5-2.2L	65SWU24-12.5-2.2L					631	590					
-	65SWU30-11-3L					-	621					
-	65SWU30-16-4L					-	621					



Package Information

Model		GW (kg)		L (mm)	W (mm)	H (mm)	Quantity (PCS/20' TEU)
Single Phase	Three Phase	1~	3~				
65SWUm24-8.5-1.5L	65SWU24-8.5-1.5L	48.8	45	924	284	363	294
65SWUm24-12.5-2.2L	65SWU24-12.5-2.2L	49	47.2	924	284	363	294
-	65SWU30-11-3L	-	54.5	874	284	363	316
-	65SWU30-16-4L	-	56.7	874	284	363	316



Impeller

(Hose coupling as standard.
Flange elbow is available on request.)

Applications

- Drainage of wastewater from the attenuation tank, purifying tank and sewage tank in water treatment plant
- Drainage of waste water containing fibrous additives from leather factory and food processing factory.
- Sewage management, accumulated water, septic tank, stock farm.
- Pumping sewage form hotels, restaurants, schools and public buildings

Pump

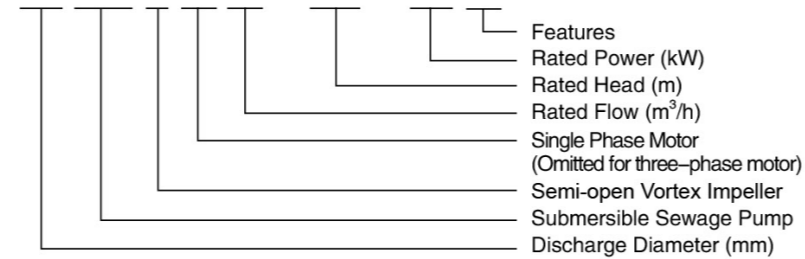
- Semi-open vortex impeller, suitable for liquid containing impurities and long fiber substance
- Flexible installations with hoses, pipes or quick-coupling systems
- Double-end mechanical seal
- Stainless steel welded shaft
- Liquid temperature: 0 - 40 °C
- Liquid PH value: 4 - 10
- Max. immersion depth: 5 m

Motor

- Frequency/Pole number: 50 Hz/2
- Insulation class: F
- Protection class: IPX8
- Bearing: Ball type

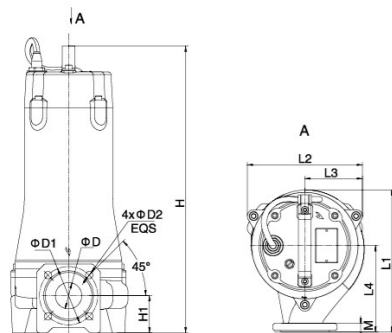
Identification Codes

80 SW U m 30 - 4.5 - 1.5 L



Technical Data

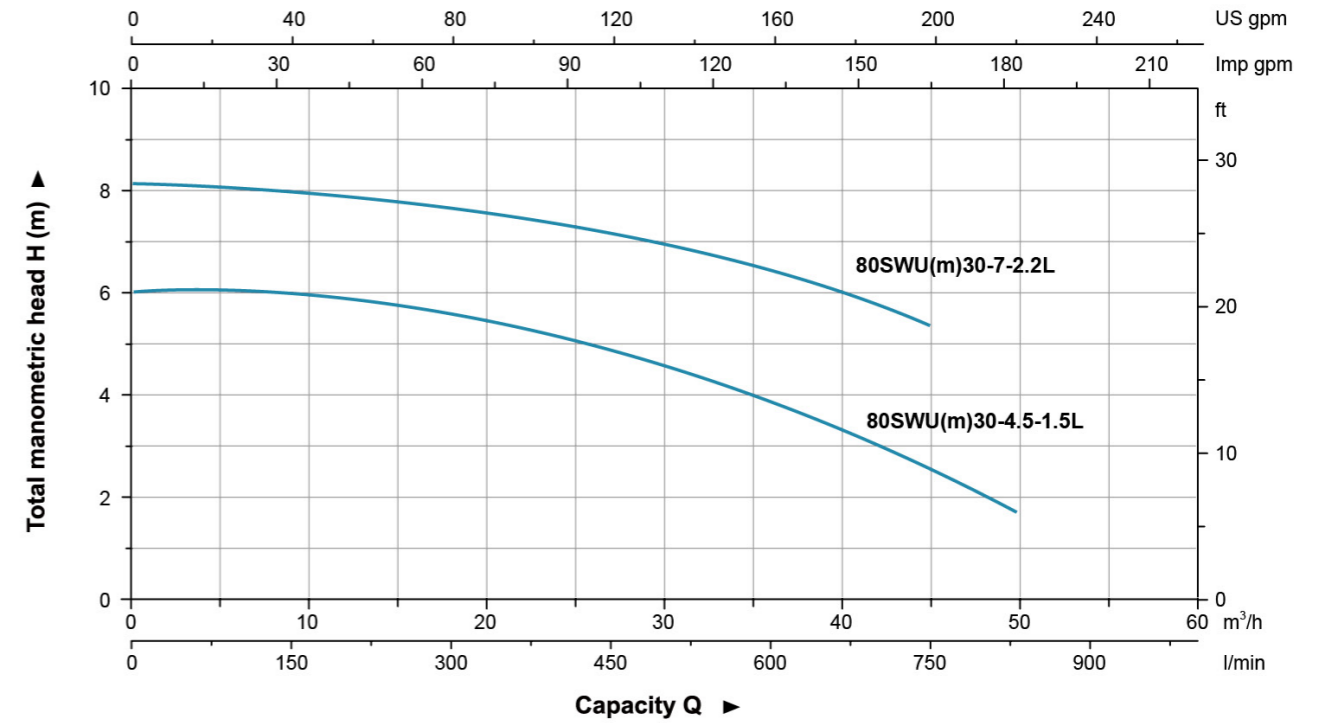
Model		Discharge mm (inch)	Power		Rated Flow (m³/h)	Max. Flow (m³/h)	Rated Head (m)	Max. Head (m)	Max. Solid Dia (mm)
Single Phase	Three Phase		kW	HP					
80SWUm30-4.5-1.5L	80SWU30-4.5-1.5L	80(3")	1.5	2	30	50	4.5	6	76
80SWUm30-7-2.2L	80SWU30-7-2.2L	80(3")	2.2	3	30	45	7	8	76



Dimension

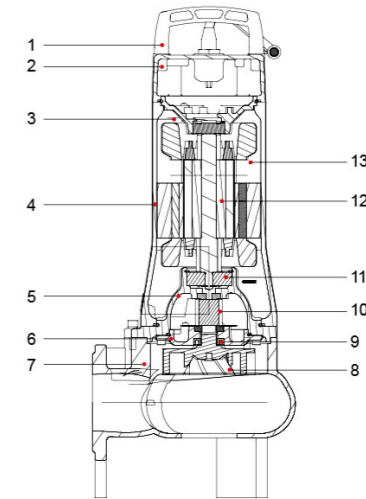
Model		L1	L2	L3	L4	H		H1	D	D1	D2	M
Single Phase	Three Phase					1~	3~					
80SWUm30-4.5-1.5L	80SWU30-4.5-1.5L	260	224	118	149	672	631	122	75	150	18	18
80SWUm30-7-2.2L	80SWU30-7-2.2L											

Hydraulic Performance Curves



Materials Table

No.	Part	Material
1	Handle	ZG45
2	Upper cover	HT200
3	Upper bearing seat	HT200
4	Motor body	HT200
5	Oil chamber	HT200
6	Pump cover	HT200
7	Pump body	HT200
8	Impeller	HT200
9	Oil seal	
10	Mechanical seal	Upper:SiC/Carbon Lower:SiC/SiC
11	Bearing	
12	Rotor	
13	Stator	



Package Information

Model		GW (kg)		L (mm)	W (mm)	H (mm)	Quantity (PCS/20' TEU)
Single Phase	Three Phase	1~	3~				
80SWUm30-4.5-1.5L	80SWU30-4.5-1.5L	49.1	45.4	924	284	363	294
80SWUm30-7-2.2L	80SWU30-7-2.2L	49.4	47.5	924	284	363	294



Applications

- Used In pressure sewage system
- Drainage of wastewater from individual residences, apartment buildings, recreational developments, models
- Transferring wastewater of commercial buildings, industrial plants, wastewater sampling, small hospitals
- Schools, federal, state and local parks, wastewater drainage
- To transfer various wastewater and sewage

Pump

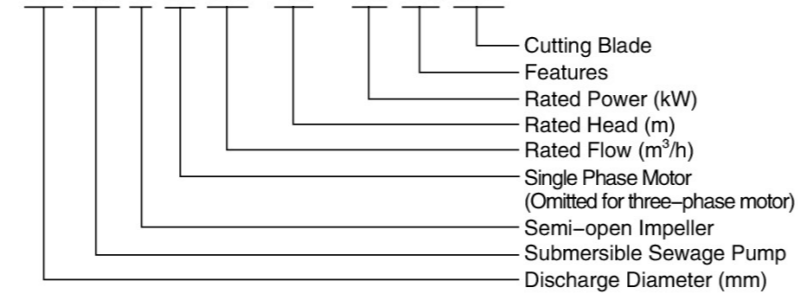
- Semi-open vortex impeller & reliable grinding system
- Flexible installations with hoses, pipes or quick-coupling systems
- Float switch as standard accessory for single phase (≤1.1kW)
- Double-end mechanical seal
- Stainless steel welded shaft
- Liquid temperature: 0 - 40 °C
- Liquid PH value: 4 - 10
- Max. immersion depth: 5 m

Motor

- Frequency/Pole number: 50 Hz/2
- Insulation class: F
- Protection class: IPX8
- Bearing: Ball type

Identification Codes

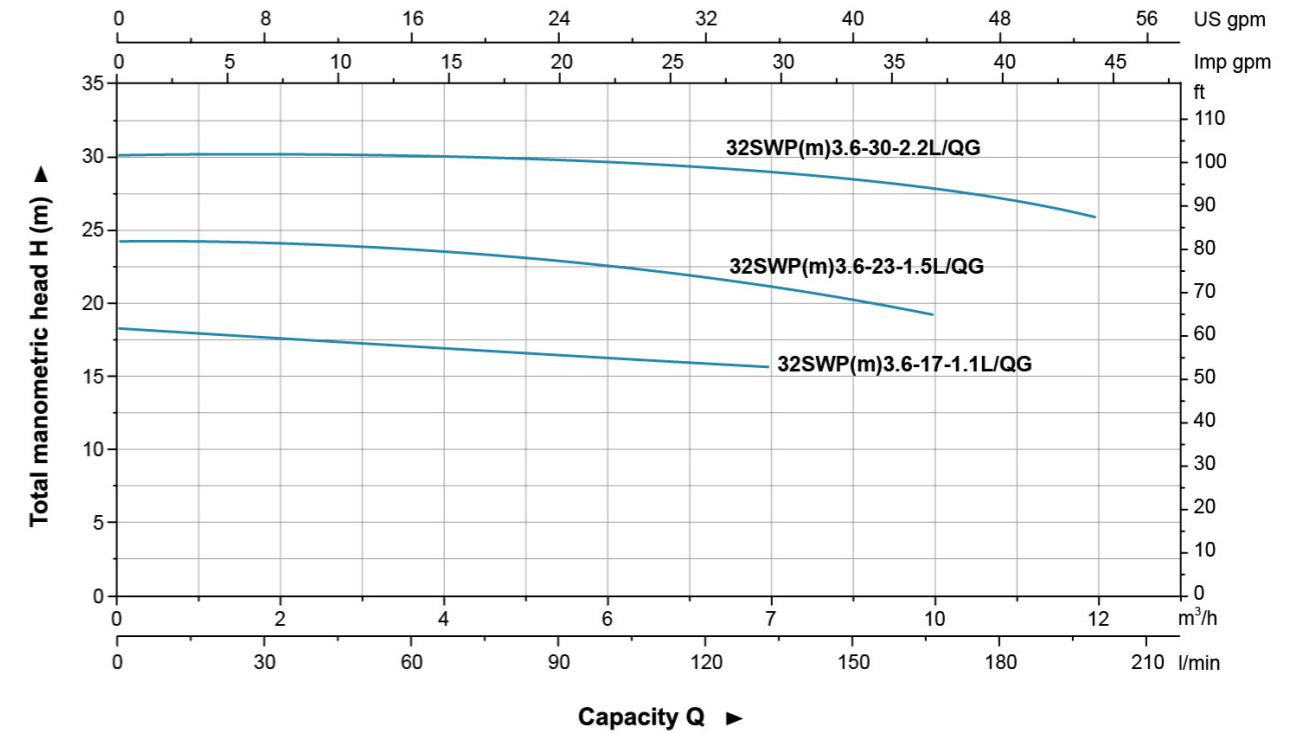
32 SW P m 3.6 - 17 - 1.1 L /QG



Technical Data

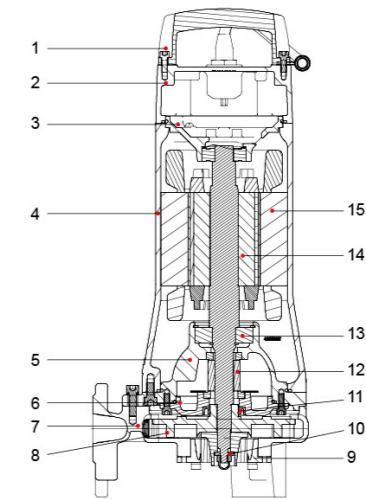
Model		Discharge mm (inch)	Power		Rated Flow (m³/h)	Max. Flow (m³/h)	Rated Head (m)	Max. Head (m)	Max. Solid Dia (mm)
Single Phase	Three Phase		kW	HP					
32SWPm3.6-17-1.1L/QG	32SWP3.6-17-1.1L/QG	32(1¼")	1.1	1.5	3.6	8	17	18	-
32SWPm3.6-23-1.5L/QG	32SWP3.6-23-1.5L/QG	32(1¼")	1.5	2	3.6	10	23	23.2	-
32SWPm3.6-30-2.2L/QG	32SWP3.6-30-2.2L/QG	32(1¼")	2.2	3	3.6	12	30	30.2	-

Hydraulic Performance Curves



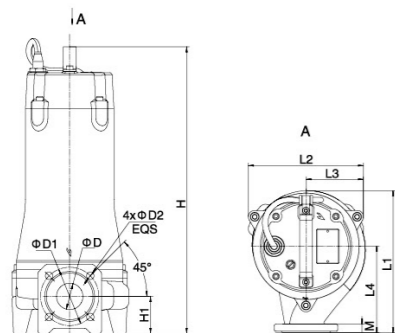
Materials Table

No.	Part	Material
1	Handle	ZG45
2	Upper cover	HT200
3	Upper bearing seat	HT200
4	Motor body	HT200
5	Oil chamber	HT200
6	Pump cover	HT200
7	Pump body	HT200
8	Impeller	HT200
9	Cutting ring	108Cr17
10	Radial cutter	108Cr17
11	Oil seal	
12	Mechanical seal	Upper:SiC/Carbon Lower:SiC/SiC
13	Bearing	
14	Rotor	
15	Stator	



Dimension

Model		L1	L2	L3	L4	H		H1	D	D1	D2	M
Single Phase	Three Phase					1~	3~					
32SWPm3.6-17-1.1L/QG	32SWP3.6-17-1.1L/QG					473	473					
32SWPm3.6-23-1.5L/QG	32SWP3.6-23-1.5L/QG	230	191	96	140	564	523	73	32	90	14	16
32SWPm3.6-30-2.2L/QG	32SWP3.6-30-2.2L/QG					564	523					



Package Information

Model		GW (kg)		L (mm)	W (mm)	H (mm)	Quantity (PCS/20'TEU)
Single Phase	Three Phase	1~	3~				
32SWPm3.6-17-1.1L/QG	32SWP3.6-17-1.1L/QG	34	32.1	749	289	368	354
32SWPm3.6-23-1.5L/QG	32SWP3.6-23-1.5L/QG	41.5	38.4	924	284	363	294
32SWPm3.6-30-2.2L/QG	32SWP3.6-30-2.2L/QG	41.1	41.6	924	284	363	294



(Flange elbow as standard.
Hose coupling is available on request.)

Applications

- Used In pressure sewage system
- Drainage of wastewater from individual residences, apartment buildings, recreational developments, models
- Transferring wastewater of commercial buildings, industrial plants, wastewater sampling, small hospitals
- Schools, federal, state and local parks, wastewater drainage
- To transfer various wastewater and sewage

Pump

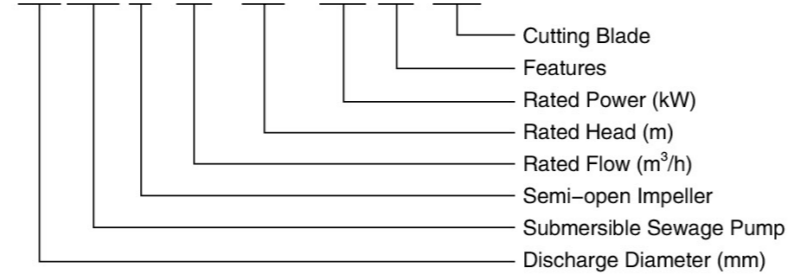
- Semi-open vortex impeller & reliable grinding system
- Flexible installations with hoses, pipes or quick-coupling systems
- Double-end mechanical seal
- Stainless steel welded shaft
- Liquid temperature: 0 - 40 °C
- Liquid PH value: 4 - 10
- Max. immersion depth: 5 m

Motor

- Frequency/Pole number: 50 Hz/2
- Insulation class: F
- Protection class: IPX8
- Bearing: Ball type

Identification Codes

50 SW P 12 - 19 - 2.2 L /QG

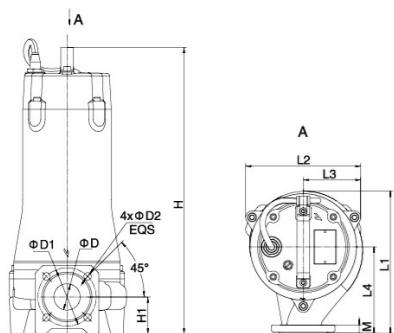


Technical Data

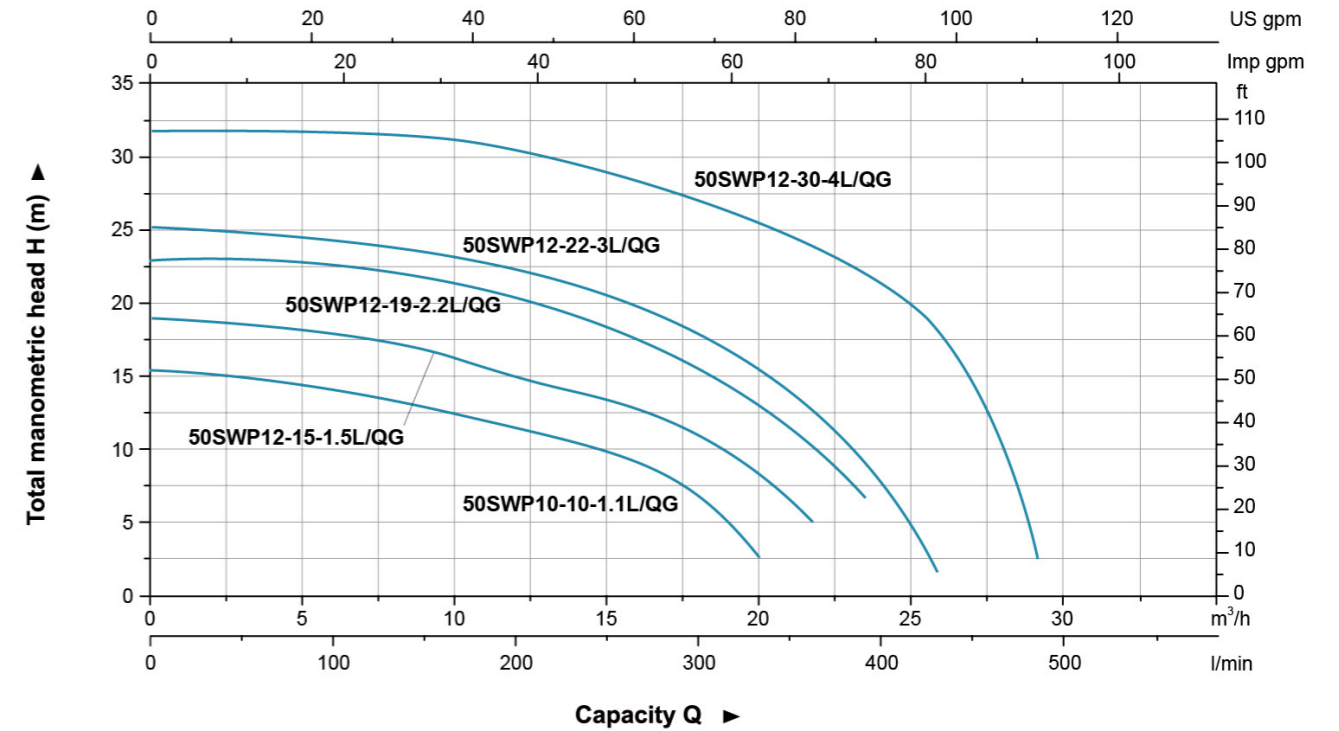
Model	Discharge mm (inch)	Power		Rated Flow (m³/h)	Max. Flow (m³/h)	Rated Head (m)	Max. Head (m)	Max. Solid Dia (mm)
		kW	HP					
50SWP10-10-1.1L/QG	50 (2")	1.1	1.5	10	20.5	10	17.5	-
50SWP12-15-1.5L/QG	50 (2")	1.5	2	12	21.5	15	19.5	-
50SWP12-19-2.2L/QG	50 (2")	2.2	3	12	24.5	19	23	-
50SWP12-22-3L/QG	50 (2")	3	4	12	26	22	25.5	-
50SWP12-30-4L/QG	50 (2")	4	5.5	12	26.5	30	33	-

Dimension

Model	L1	L2	L3	L4	H	H1	D	D1	D2	M	
50SWP10-10-1.1L/QG	245.5				472.5						
50SWP12-15-1.5L/QG					523						
50SWP12-19-2.2L/QG	246	217	109	145		73	40	100	14	16	
50SWP12-22-3L/QG											554
50SWP12-30-4L/QG											554

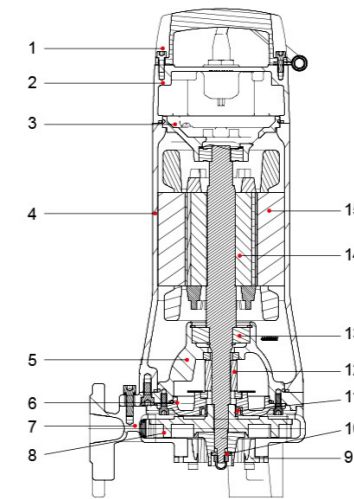


Hydraulic Performance Curves



Materials Table

No.	Part	Material
1	Handle	ZG45
2	Upper cover	HT200
3	Upper bearing seat	HT200
4	Motor body	HT200
5	Oil chamber	HT200
6	Pump cover	HT200
7	Pump body	HT200
8	Impeller	HT200
9	Cutting ring	108Cr17
10	Radial cutter	108Cr17
11	Oil seal	
12	Mechanical seal	Upper:SiC/Carbon Lower:SiC/SiC
13	Bearing	
14	Rotor	
15	Stator	



Package Information

Model	GW (kg)	L (mm)	W (mm)	H (mm)	Quantity (PCS/20'TEU)
50SWP10-10-1.1L/QG	39.7	749	289	368	354
50SWP12-15-1.5L/QG	46.8	924	284	363	294
50SWP12-19-2.2L/QG	45.2	924	284	363	294
50SWP12-22-3L/QG	51.5	874	284	363	316
50SWP12-30-4L/QG	53.9	874	284	363	316

Applications

- Used In pressure sewage system
- Drainage of wastewater from individual residences, apartment buildings, recreational developments, models
- Transferring wastewater of commercial buildings, industrial plants, wastewater sampling, small hospitals
- Schools, federal, state and local parks, wastewater drainage
- To transfer various wastewater and sewage

Pump

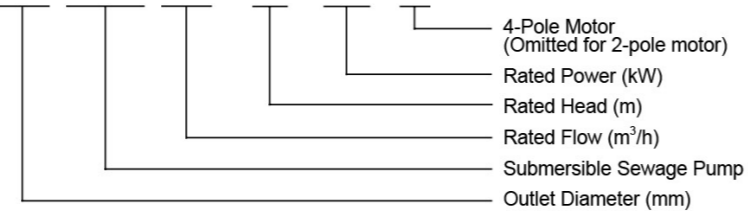
- Flexible installations with hoses, pipes or quick-coupling systems
- Double-end mechanical seal
- Stainless Steel welded shaft
- Liquid density $\leq 1.2 \times 10^3 \text{ kg/m}^3$
- Liquid temperature: 0 - 40 °C
- Liquid PH value: 4 - 10
- Max. immersion Depth: 5 m

Motor

- Copper winding
- Insulation class: F
- Protection class: IPX8
- Voltage: 380V/50Hz 3-phase

Identification Codes

150 SWE 110 - 10 - 5.5 / 4



(Hose coupling as standard.
Flange elbow is available on request.)



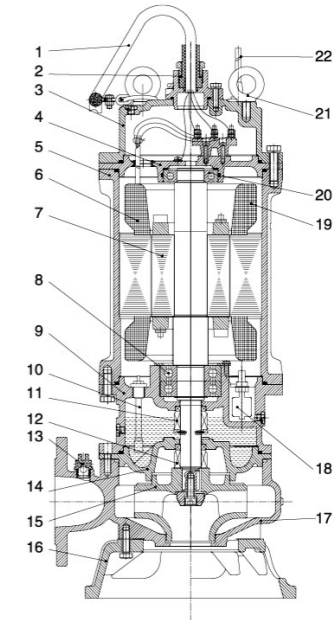
Technical Data

Model	Motor Power		Speed r.p.m	Max. Flow m ³ /h	Max. Head m	Discharge mm (inch)	Guide Rial Fitting	Max. Solid Dia mm	G.W kg	Packing Dimension mm
	kW	HP								
150SWE150-10-7.5/4	7.5	10	1450	300	16	150 (6")	150-150	75	160	1154x549x532
150SWE110-10-5.5/4	5.5	7.5	1450	260	12	150 (6")	150-150	75	155	1154x549x532
150SWE100-10-7.5	7.5	10	2900	150	20	150 (6")	150-150	35	120	1059x414x469
100SWE65-22-7.5	7.5	10	2900	108	31	100 (4")	100-100	35	118	1059x414x469
100SWE45-22-5.5	5.5	7.5	2900	100	28	100 (4")	100-100	30	93	954x404x437
100SWE100-15-7.5/4	7.5	10	1450	140	21	100 (4")	100-100	55	150	1154x549x532
100SWE65-15-5.5/4	5.5	7.5	1450	120	18	100 (4")	100-100	55	145	1154x549x532
80SWE30-36-7.5	7.5	10	2900	75	41	80 (3")	80-80	30	118	1059x414x469
80SWE30-30-5.5	5.5	7.5	2900	70	35	80 (3")	80-80	30	93	954x404x437
80SWE45-22-7.5/4	7.5	10	1450	80	26	80 (3")	80-80	30	150	1127x550x450
50SWE20-45-7.5	7.5	10	2900	45	50	50 (2")	50-50	20	120	1032x430x360

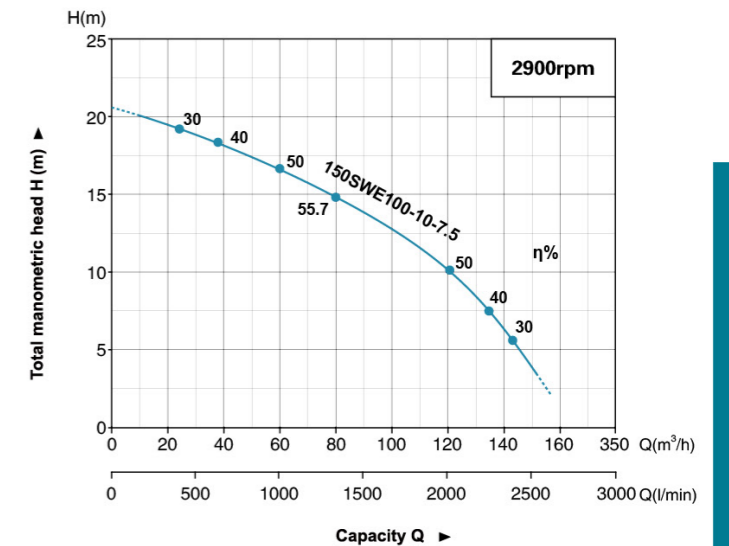
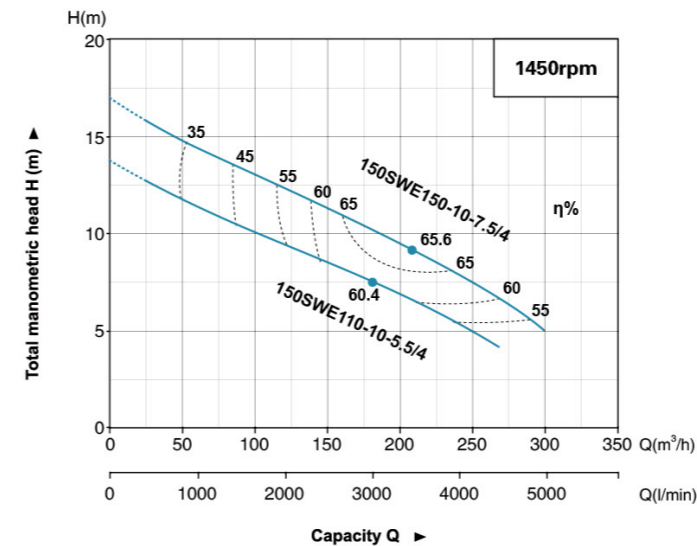
Materials Table

No.	Part	Material
1	Cable	
2	Cable holder	HT200
3	Upper cover	HT200
4	Upper bearing seat	HT200
5	Frame	HT200
6	Stator	
7	Rotor	
8	Bearing	
9	Oil chamber	HT200
10	* Detector	
11	Mechanical seal	Silicon/Carbon
12	Mechanical seal	Silicon/Silicon
13	Release valve	
14	Pump casing	HT200
15	Impeller	HT200
16	Baseplate	HT200
17	Pump body	HT200
18	* Floating switch	
19	* Thermal sensor	
20	Bearing	
21	Ring	06Cr19Ni10
22	*Signal cable	

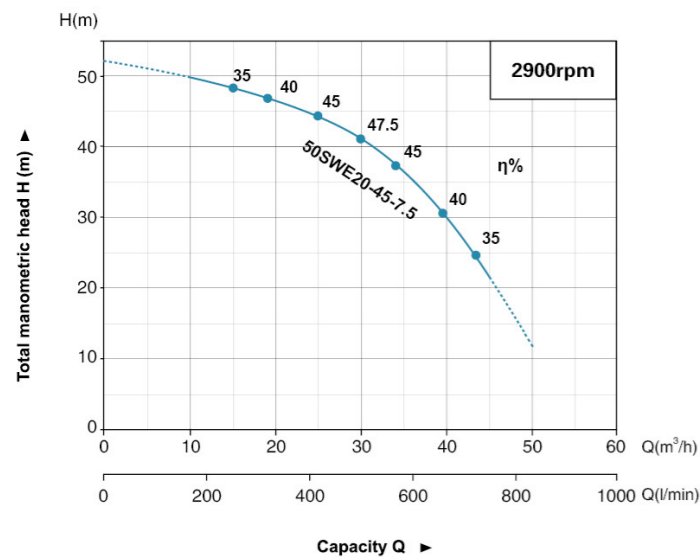
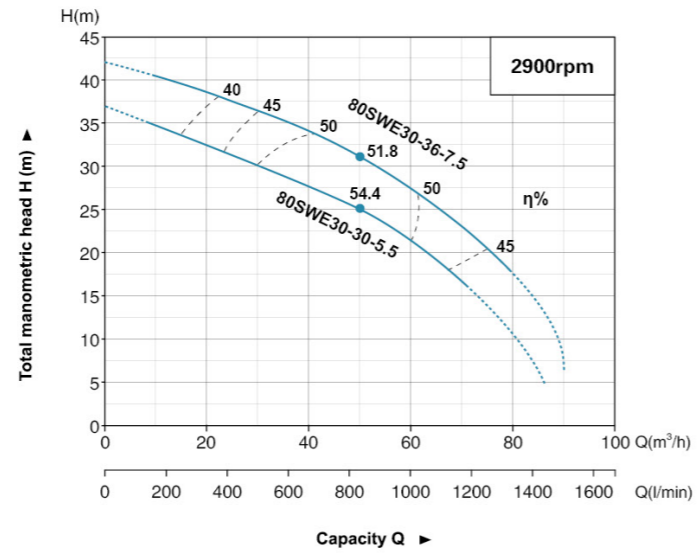
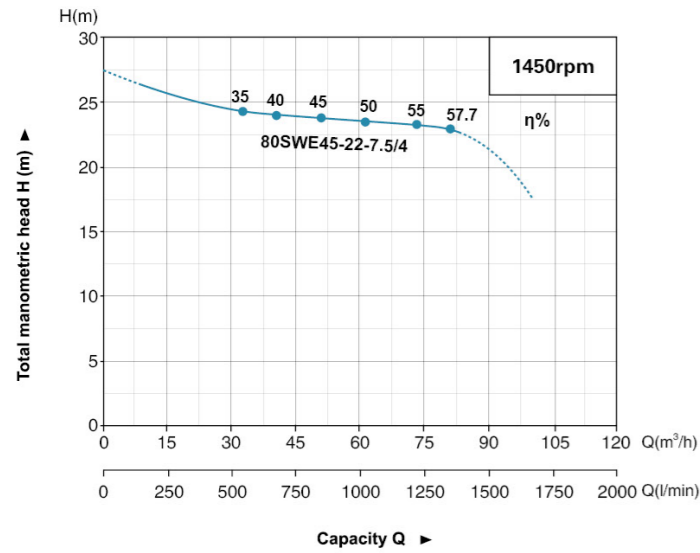
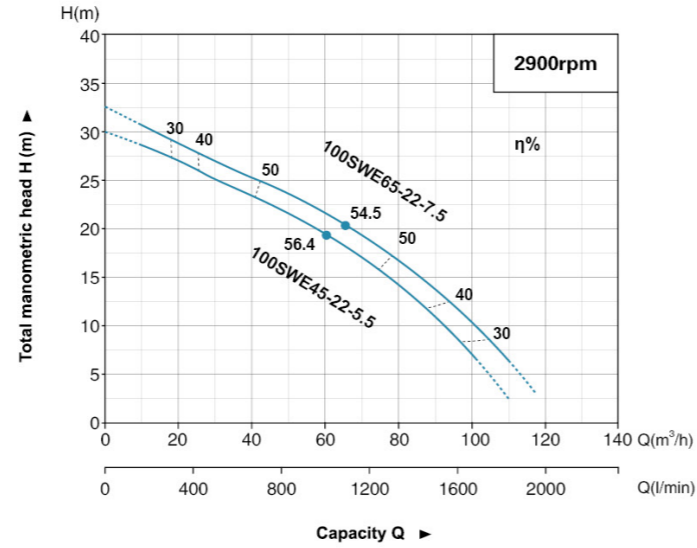
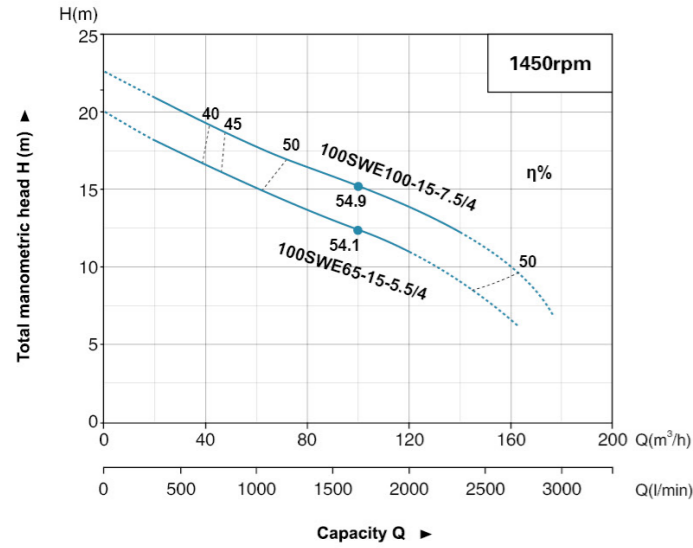
Standard configuration not equipped with detector, floating switch, thermal sensor and signal cable, available on request.



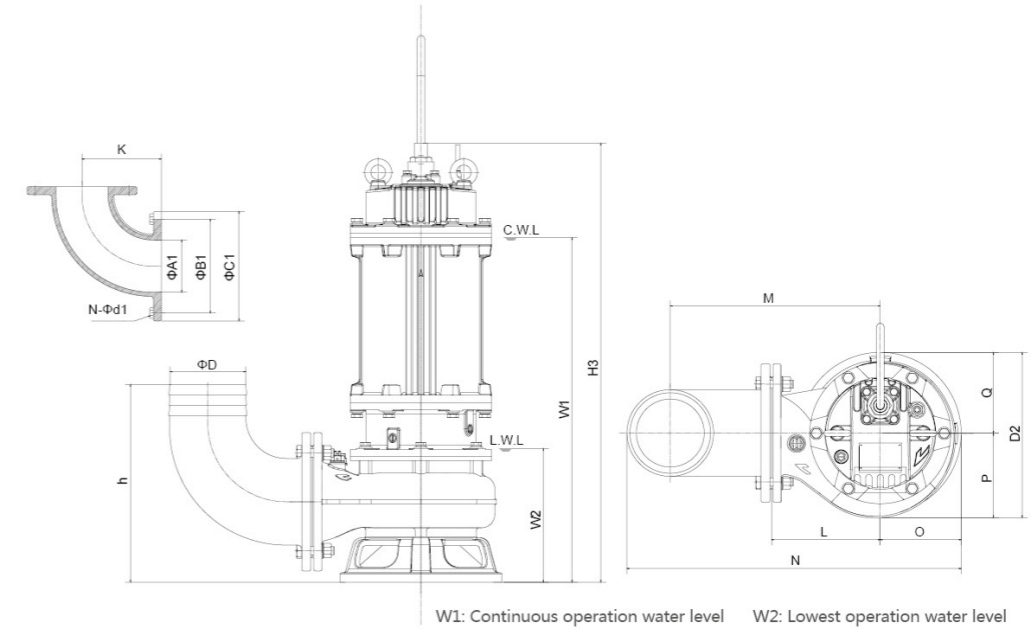
Hydraulic Performance Curves



Hydraulic Performance Curves



Dimension



Model	ΦD	ΦA1	ΦB1	ΦC1	N-Φd1	h	W1	W2	H3	K	N	O	P	Q	L	M	D2
150SWE150-10-7.5/4	150	150	225	265	8-Φ18	465	756	330	910	230	770	195	217	170	300	500	387
150SWE110-10-5.5/4	150	150	225	265	8-Φ18	465	756	330	910	230	770	195	217	170	300	500	388
150SWE100-10-7.5	150	150	225	265	8-Φ18	379	660	241	811	230	640	145	162	155	210	410	317
100SWE65-22-7.5	100	100	170	210	4-Φ18	315	639	220	790	150	530	155	155	155	200	340	310
100SWE45-22-5.5	100	100	170	210	4-Φ18	315	609	220	744	150	530	155	155	155	200	340	310
100SWE100-15-7.5/4	100	100	170	210	4-Φ18	390	722	295	873	150	655	187	200	175	280	420	373
100SWE65-15-5.5/4	100	100	170	210	4-Φ18	390	722	295	873	150	655	187	200	175	280	420	373
80SWE30-36-7.5	80	80	150	190	4-Φ18	332	640	215	785	140	520	143	155	155	200	335	310
80SWE30-30-5.5	80	80	150	190	4-Φ18	332	607	215	735	140	515	136	155	155	200	335	310
80SWE45-22-7.5/4	80	80	150	190	4-Φ18	390	679	285	880	155	615	173	179	260	395	349	390
50SWE20-45-7.5	50	50	110	140	4-Φ14	284	626	221	777	105	484	133	137.5	200	320	272	284



Guide Rail System

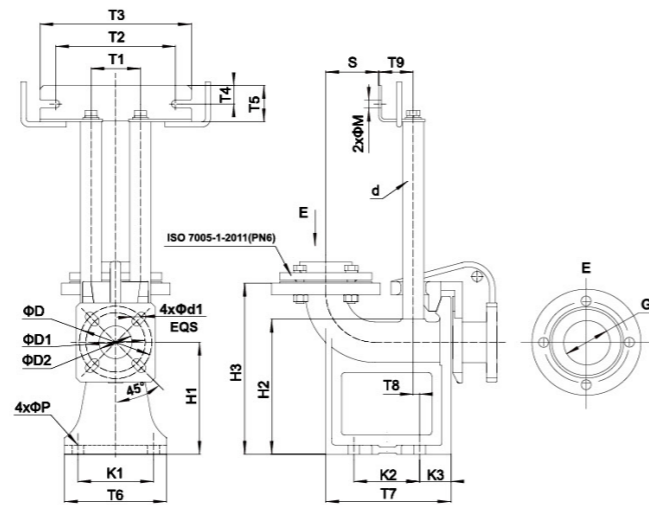
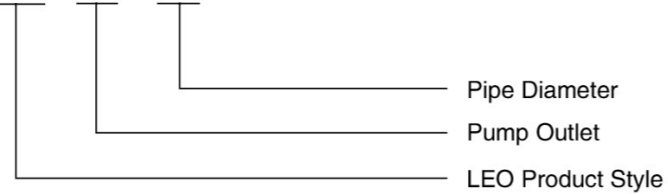
- Suitable for pumps with flange conforming ISO7005-92 standard.
- Automatic engagement with flanged elbow

Includes

- Duck-foot bend
- Guide hook
- Flange connector
- Upper guide support
- Bolts and lock washers
(Foundation bolts and guide pipes are not included)

Identification Codes

SW 50 - 50



Dimension

Model	D	D1	D2	T1	T2	T3	T4	T5	T6	T7	T8	T9	K1	K2	K3	H1	H2	H3	S	M	P	d	d1	G
SW50-50(PN6)	110	90	50	75	182	230	28	55	165	190	12	52.5	115	100	45	170	205	260	80.5	12	18	25	14	G2
SW65-65(PN6)	130	-	65	85	182	230	28	55	190	210	17	59	145	120	45	175	220	270	89	12	18	32	14	G2.5
SW80-80(PN6)	150	-	80	85	182	230	28	55	220	242	27	59	175	160	41	190	246	290	115	12	18	32	18	G3

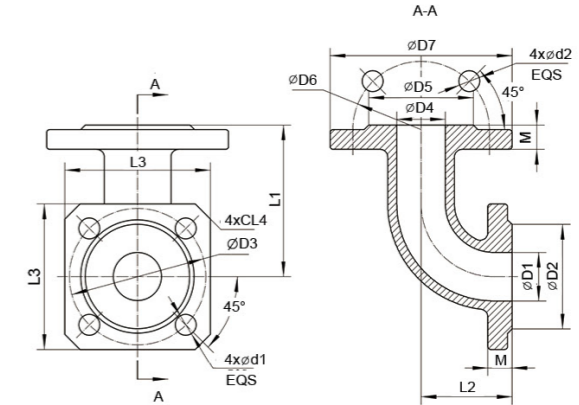
Package Information: Carton (Wooden Case Optional)

Model	Carton				Wooden Case			
	L (mm)	W (mm)	H (mm)	G.W (kg)	L (mm)	W (mm)	H (mm)	G.W (kg)
SW50-50(PN6)	390	345	260	18.5	410	355	250	23
SW65-65(PN6)	430	375	285	24	440	375	275	28
SW80-80(PN6)	475	410	310	32.5	485	405	305	36

Flange Elbow



Dimension

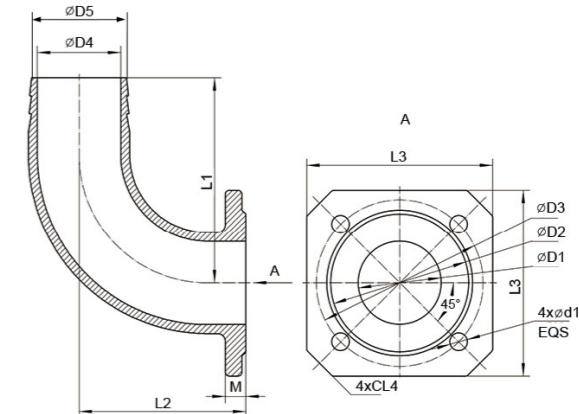


Model	D1	D2	D3	D4	D5	D6	D7	L1	L2	L3	L4	M	d1	d2
32-32 Flange Elbow	32	69	90	32	69	90	120	100	60	96	10	16	14	14
40-50 Flange Elbow	40	78	100	50	88	110	140	120	60	110	15	16	14	14
50-50 Flange Elbow	50	88	110	50	88	110	140	105	105	120	15	16	14	14
65-65 Flange Elbow	65	108	130	65	108	130	160	130	130	145	20	16	14	14
80-80 Flange Elbow	80	124	150	80	124	150	190	155	155	145	15	18	18	18

Hose Coupling



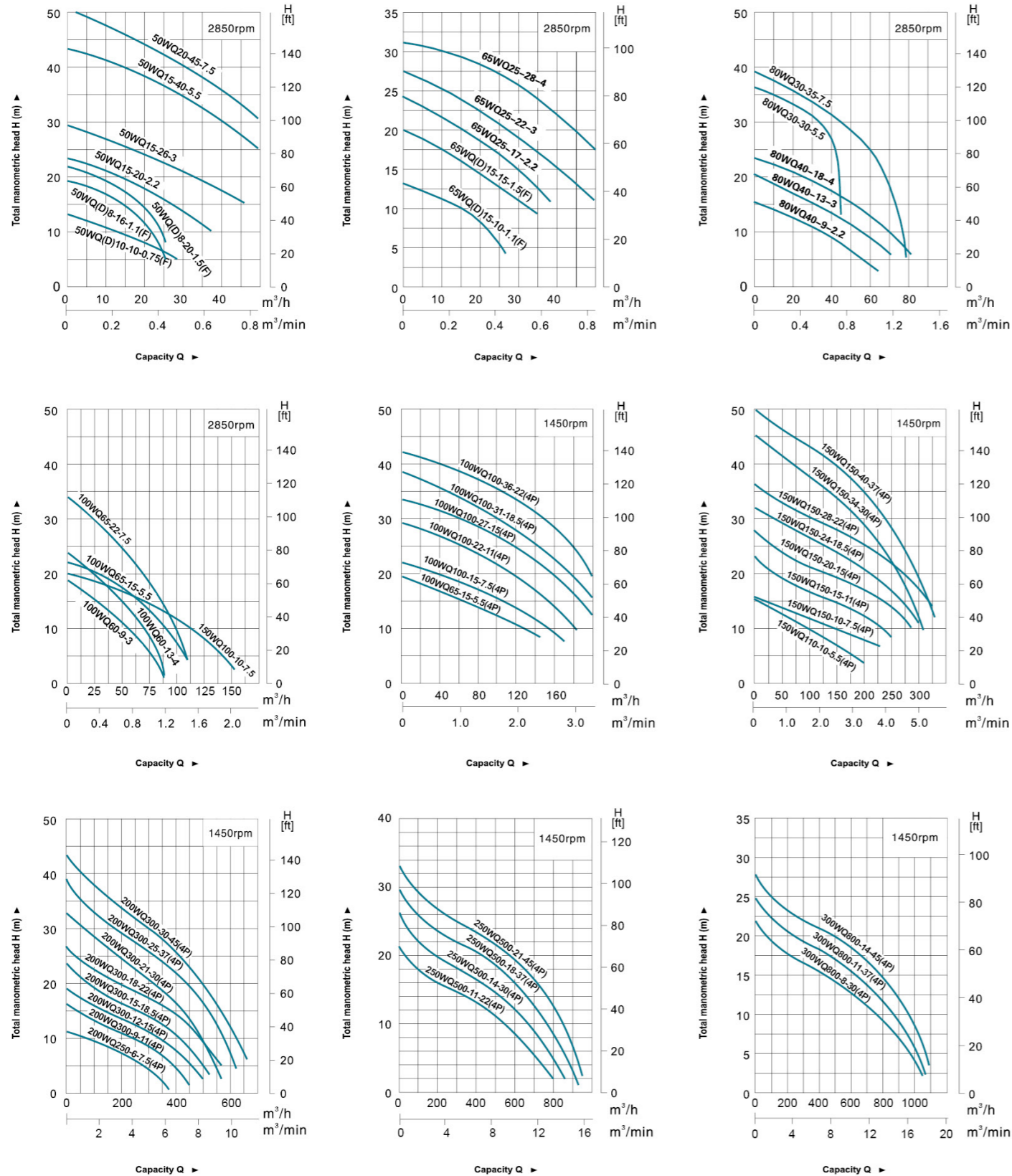
Dimension



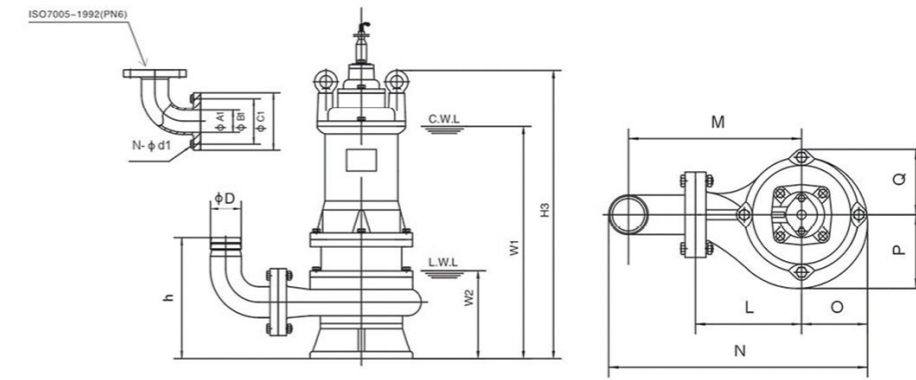
Model	D1	D2	D3	D4	D5	L1	L2	L3	L4	M	d1
• 50-40 Hose Coupling	50	88	110	38	48	115	65	120	15	16	14
• 65-50 Hose Coupling	65	108	130	51	61	125	68	145	20	16	14
• 80-60 Hose Coupling	80	124	150	60	70	140	75	145	15	16	18
50-50 Hose Coupling	50	88	110	50	58	140	120	120	15	16	14
65-65 Hose Coupling	65	108	130	65	74	160	130	145	20	18	14
80-80 Hose Coupling	80	124	150	80	87	190	135	145	15	18	18

• Product standard

Hydraulic Performance Curves

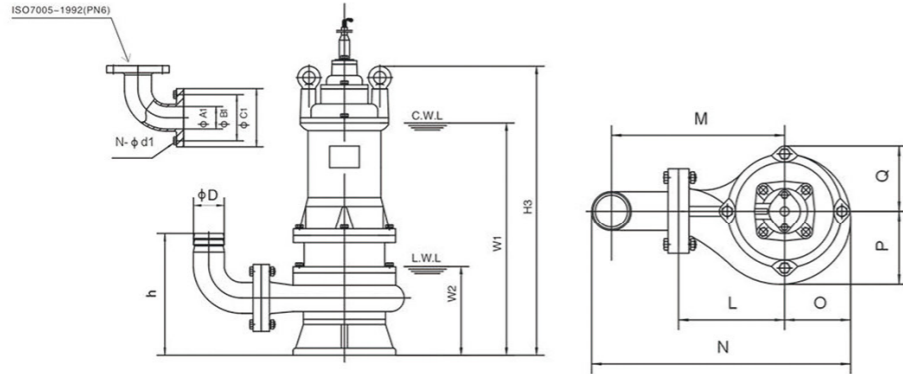


Dimension



Model	ΦD	$\Phi A1$	$\Phi B1$	$\Phi C1$	$n-\Phi d1$	h	$W1$	$W2$	$H3$	N	O	P	Q	L	M
50WQ10-10-0.75	50	50	110	140	4- $\Phi 14$	200	300	120	445	332	90	96	85	128	192
50WQD10-10-0.75(F)	50	50	110	140	4- $\Phi 14$	200	315	120	445	332	90	96	85	128	192
50WQ8-16-1.1	50	50	110	140	4- $\Phi 14$	195	325	120	460	347	90	96	85	128	192
50WQD8-16-1.1(F)	50	50	110	140	4- $\Phi 14$	195	325	120	460	347	90	96	85	128	192
65WQ15-10-1.1	65	50	110	140	4- $\Phi 14$	195	345	120	460	347	90	96	85	128	192
65WQD15-10-1.1(F)	65	50	110	140	4- $\Phi 14$	195	345	120	460	347	90	96	85	128	192
50WQ8-20-1.5	50	50	110	140	4- $\Phi 14$	202	370	165	480	340	90	105	82	145	210
50WQD8-20-1.5(F)	50	50	110	140	4- $\Phi 14$	202	390	165	500	340	90	105	82	145	210
65WQ15-15-1.5	65	50	110	140	4- $\Phi 14$	195	345	120	480	347	90	96	85	128	192
65WQD15-15-1.5(F)	65	50	110	140	4- $\Phi 14$	195	345	120	480	347	90	96	85	128	192
50WQ15-20-2.2	50	50	110	140	4- $\Phi 14$	210	410	145	575	357	107	113	100	164	228
65WQ25-17-2.2	65	65	130	160	4- $\Phi 14$	225	410	145	575	383	107	113	100	164	234
80WQ40-9-2.2	80	65	150	190	4- $\Phi 14$	255	415	150	580	392	105	111	93	160	250
50WQ15-26-3	50	50	110	140	4- $\Phi 14$	210	425	145	610	357	107	113	100	164	228
65WQ25-22-3	65	65	130	160	4- $\Phi 14$	225	425	145	610	383	107	113	100	164	234
80WQ40-13-3	80	80	150	190	4- $\Phi 18$	270	450	170	630	387	107	115	100	153	243
100WQ60-9-3	100	80	170	210	4- $\Phi 18$	295	450	170	630	410	107	115	100	153	253
65WQ25-28-4	65	65	130	160	4- $\Phi 14$	240	455	160	650	406	111	116	106	179	249
80WQ40-18-4	80	80	150	190	4- $\Phi 18$	280	480	185	675	407	105	110	100	165	255
100WQ60-13-4	100	80	170	210	4- $\Phi 18$	305	480	185	675	430	105	110	100	165	265
50WQ15-40-5.5	50	50	110	140	4- $\Phi 14$	235	475	160	675	386	125	130	112	175	239
80WQ30-30-5.5	80	80	150	190	4- $\Phi 18$	275	495	175	690	427	115	120	110	175	265
100WQ65-15-5.5	100	100	170	210	4- $\Phi 18$	285	505	190	705	462	131	140	115	181	281
50WQ20-45-7.5	50	50	110	140	4- $\Phi 12$	265	540	210	4760	449	140	146	134	200	264
80WQ30-35-7.5	80	80	150	190	4- $\Phi 18$	305	540	210	760	490	140	146	134	200	290
100WQ65-22-7.5	100	100	170	210	4- $\Phi 18$	345	560	230	780	513	145	154	135	200	300
150WQ100-10-7.5	150	150	225	265	8- $\Phi 18$	405	575	245	795	598	145	160	135	210	360

Dimension



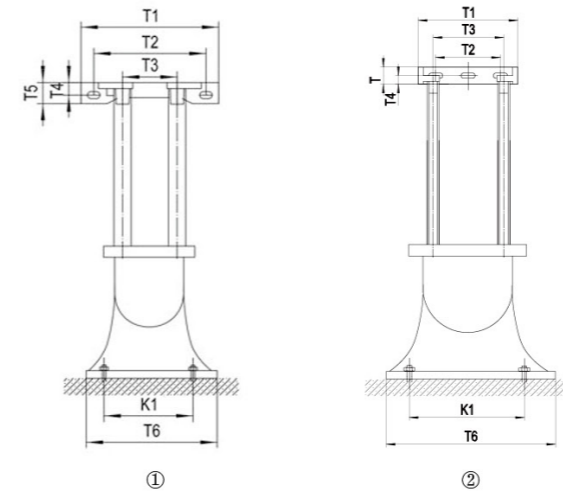
Model	ΦD	ΦA1	ΦB1	ΦC1	n-Φd1	h	W1	W2	H3	N	O	P	Q	L	M
100WQ65-15-5.5(4P)	100	100	170	210	4-Φ18	360	585	255	805	620	190	202	177	280	380
150WQ110-10-5.5(4P)	150	150	225	265	8-Φ18	430	615	285	835	725	200	215	185	300	450
100WQ100-15-7.5(4P)	100	100	170	210	4-Φ18	360	630	255	850	620	190	202	177	280	380
150WQ150-10-7.5(4P)	150	150	225	265	8-Φ18	430	660	285	880	725	200	215	185	300	450
200WQ250-6-7.5(4P)	200	200	295	340	8-Φ22	540	695	320	915	880	230	256	192	350	550
100WQ100-22-11(4P)	100	100	170	210	4-Φ18	355	650	255	910	671	206	217	193	310	410
150WQ150-15-11(4P)	150	150	225	265	8-Φ18	440	680	285	940	756	208	225	188	320	470
200WQ300-9-11(4P)	200	200	295	340	8-Φ22	545	720	325	980	866	226	253	191	340	540
100WQ100-27-15(4P)	100	100	170	210	4-Φ18	355	695	255	955	671	206	217	193	310	410
150WQ150-20-15(4P)	150	150	225	265	8-Φ18	440	725	285	985	756	208	225	188	320	470
200WQ300-12-15(4P)	200	200	295	340	8-Φ22	545	765	325	1025	866	226	253	191	340	540
100WQ100-31-18.5(4P)	100	100	170	210	4-Φ18	355	715	185	1010	693	218	227	206	325	425
150WQ150-24-18.5(4P)	150	150	225	265	8-Φ18	415	740	290	1035	781	221	235	206	335	485
200WQ300-15-18.5(4P)	200	200	295	340	8-Φ22	545	785	330	1080	883	233	260	203	350	550
100WQ100-36-22(4P)	100	100	170	210	4-Φ18	355	735	265	1030	693	218	227	206	325	425
150WQ150-28-22(4P)	150	150	225	265	8-Φ18	415	760	290	1055	781	221	235	206	335	485
200WQ300-18-22(4P)	200	200	295	340	8-Φ22	545	805	330	1100	883	233	260	203	350	550
250WQ500-11-22(4P)	250	250	350	395	12-Φ22	635	860	400	1160	1150	280	313	270	400	673
150WQ150-34-30(4P)	150	150	240	285	8-Φ22	475	855	340	1200	997	272	283	270	380	582
200WQ300-21-30(4P)	200	200	295	340	8-Φ22	580	895	380	1240	1078	286	308	270	390	622
250WQ500-14-30(4P)	250	250	350	395	12-Φ22	-	920	400	1265	1181	300	332	270	410	683
300WQ800-8-30(4P)	300	300	400	445	12-Φ22	-	970	450	1315	1365	340	386	290	480	803
150WQ150-40-37(4P)	150	150	240	285	8-Φ22	463	850	340	1255	997	272	283	270	380	582
200WQ300-25-37(4P)	200	200	295	340	8-Φ22	593	890	380	1295	1078	286	308	270	390	622
250WQ500-18-37(4P)	250	250	350	395	12-Φ22	665	910	400	1315	1181	300	332	270	410	683
300WQ800-11-37(4P)	300	300	400	445	12-Φ22	750	860	450	1365	1365	340	386	290	480	803
200WQ300-30-45(4P)	200	200	295	340	8-Φ22	560	930	380	1295	1078	286	308	270	390	622
250WQ500-21-45(4P)	250	250	350	395	12-Φ22	665	950	400	1315	1181	300	332	270	410	683
300WQ800-14-45(4P)	300	300	400	445	12-Φ22	750	1000	450	1365	1365	340	386	290	480	803

Guide Rail System

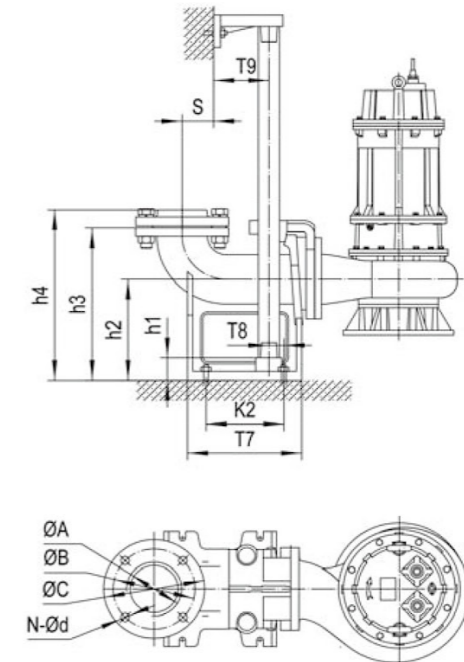
- Suitable for pumps with flange conforming ISO7005-92 standard.
- Automatic engagement with flanged elbow

Includes

- Duck-foot bend
- Guide hook
- Flange connector
- Upper guide support
- Bolts and lock washers
(Foundation bolts and guide pipes are not included)



① . T2 > T3, Model 50-50(PN6) to 100-100(PN6)
② . T2 < T3, Model 150-150(PN6) to 300-300(PN10)



Model	ΦA	ΦB	ΦC	N-Φd	T1	T2	T3	T4	T5	T6	T7	T8	T9	K1	K2	S	h1	h2	h3	h4	I	II	III
50-50(PN6)	Φ50/G2"	110	140	4-Φ14	265	215	105	25	42	200	215	15	67	165	135	63	25	160	250	280	1"/Φ33.3x3.5	4-M16x120	2-M12x40
65-65(PN6)	Φ65/G2 1/2"	130	160	4-Φ14	280	230	125	30	50	230	235	20	70	190	155	90	25	165	265	295	1"/Φ33.3x3.5	4-M16x120	2-M12x40
80-80(PN6)	Φ80/G3"	150	190	4-Φ18	315	265	145	27	50	255	225	30	78	215	155	77	25	190	305	335	1 1/2"/Φ48.3x3.5	4-M16x120	2-M12x40
100-100(PN6)	Φ100/G4"	170	210	4-Φ18	365	305	170	32	55	295	260	35	95	265	175	100	25	230	350	380	1 1/2"/Φ48.3x3.5	4-M18x150	2-M12x50
150-150(PN6)	Φ150	225	265	8-Φ18	400	260	280	24	48	400	410	75	95	280	300	200	390	300	480	-	1 1/2"/Φ48.3x3.5	4-M20x150	2-M14x50
150-150(PN10)	Φ150	240	280	8-Φ22	400	260	280	24	48	400	410	75	95	280	300	200	390	300	480	-	1 1/2"/Φ48.3x3.5	4-M20x150	2-M14x50
200-200(PN10)	Φ200	295	340	8-Φ22	400	260	280	24	48	400	445	100	95	300	355	230	440	325	555	-	1 1/2"/Φ48.3x3.5	4-M20x150	2-M14x50
250-250(PN10)	Φ250	350	395	12-Φ22	400	260	280	24	48	460	555	110	95	360	430	295	460	315	630	-	1 1/2"/Φ48.3x3.5	4-M22x150	2-M14x50
300-300(PN10)	Φ300	400	445	12-Φ22	520	340	375	32	65	550	600	140	110	414	460	280	480	415	730	-	2"/Φ60.3x3.5	4-M24x200	2-M14x50

• I = Dimensions of tube for guide rod.
II = Quantity and specification of foundation bolt.
III = Quantity and specification of upper guide rod bolt



Application

- Civil engineering
- Mines, quarries, Coal ore & slurries
- Sewage treatment plants
- General pumping purposes

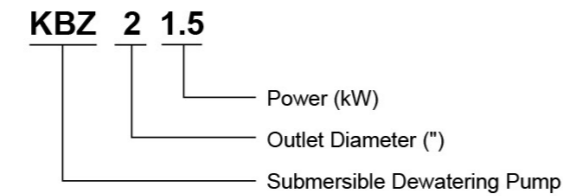
Pump

- Max. liquid temperature: +40°C
- Flow: up to 156 m³/h
- Head: up to 57 m
- Power: 1.5 kW (2 HP) to 15kW (20 HP)
- Max. Immersion depth: 25 m
- Optional cable length

Motor

- Copper winding
- Insulation class: B
- Protection class: IP68

Identification Codes

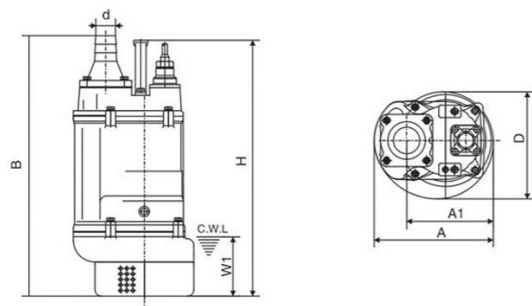


Technical Data

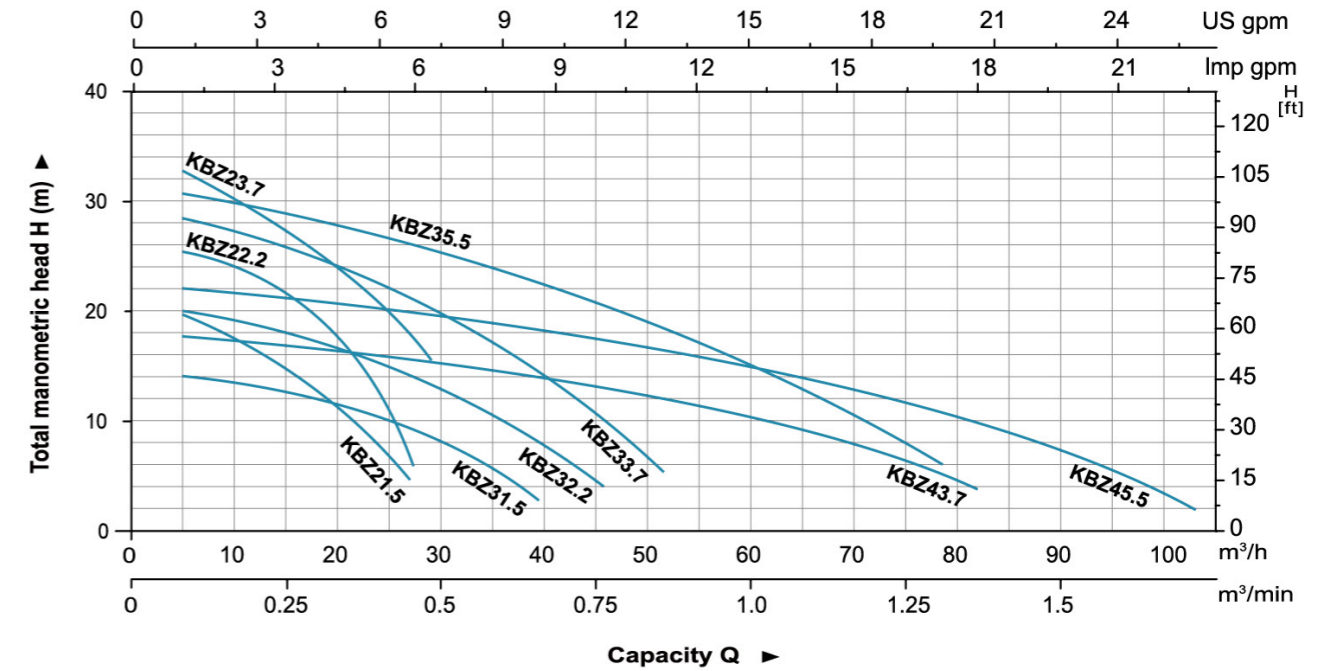
Model	Discharge mm	Power		Max. Head m	Max. Flow		Max. Solid Dia mm
		kW	HP		m³/h	l/min	
KBZ21.5	50	1.5	2	22	33	550	8.5
KBZ22.2	50	2.2	3	26	33	550	8.5
KBZ23.7	50	3.7	5	34	33	550	8.5
KBZ31.5	80	1.5	2	14.5	40	670	8.5
KBZ32.2	80	2.2	3	19	55	920	8.5
KBZ33.7	80	3.7	5	29	55	920	8.5
KBZ35.5	80	5.5	7.5	34	75	1250	8.5
KBZ43.7	100	3.7	5	18.5	90	1500	8.5
KBZ45.5	100	5.5	7.5	23	105	1750	8.5

Dimension

Model	d	A	A1	B	D	H	W1
KBZ21.5	50	235	173	517	216	486	120
KBZ31.5	80	235	173	517	216	486	120
KBZ22.2	50	235	173	517	216	486	120
KBZ32.2	80	235	173	517	216	486	120
KBZ23.7	50	283	208	628	252	638	150
KBZ33.7	80	283	208	628	252	638	150
KBZ43.7	100	283	208	642	252	638	150
KBZ35.5	80	306	218	671	259	598	150
KBZ45.5	100	306	218	686	259	598	150

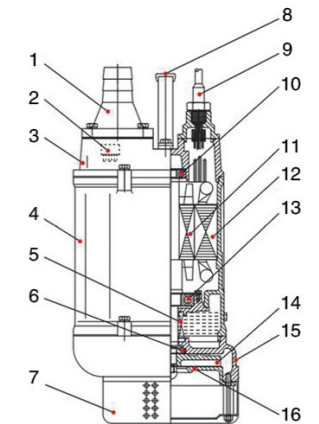


Hydraulic Performance Curves



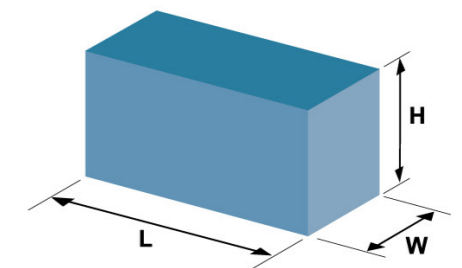
Materials Table

No.	Part	Material	No.	Part	Material
1	Hose coupling	Cast iron	9	Cable	
2	Thermal protector		10	Bearing	
3	Upper cover	Cast iron	11	Rotor	
4	Motor cover	Cast iron	12	Stator	
5	Oil seal		13	Bearing	
6	Mechanical seal	Lower: Sic-Sic Upper: Carbon-Sic(≤2.2kW) Lower: Sic-Sic Upper: Sic-Sic(≥3.7kW)	14	Impeller	High chrome alloy
7	Strainer	Steel	15	Pump body	Cast iron
8	Handle	Steel	16	Inlet plate	Ductile iron



Package Information

Model	N.W (kg)	G.W (kg)	L (mm)	W (mm)	H (mm)	Quantity (PCS/20' TEU)
KBZ21.5	34.5	37.5	585	270	270	648
KBZ22.2	36	39	585	270	270	648
KBZ23.7	60	65	685	325	300	406
KBZ31.5	34.5	37	585	270	270	648
KBZ32.2	36	39	585	270	270	648
KBZ33.7	60	65	685	325	300	406
KBZ35.5	77	84	725	355	370	288
KBZ43.7	61	66	685	325	300	406
KBZ45.5	78	85	725	355	370	288





Application

- Civil engineering
- Mines, quarries, Coal ore & slurries
- Sewage treatment plants
- General pumping purposes

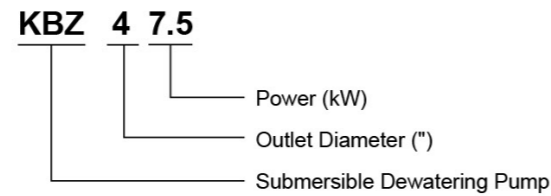
Pump

- Max. liquid temperature: +40°C
- Flow: up to 156 m³/h
- Head: up to 57 m
- Power: 1.5 kW (2 HP) to 15kW (20 HP)
- Max. Immersion depth: 25 m
- Optional cable length

Motor

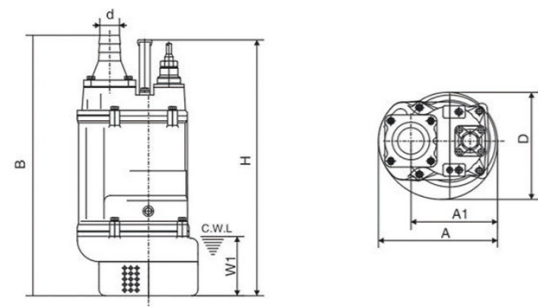
- Copper winding
- Insulation class: B
- Protection class: IP68

Identification Codes



Technical Data

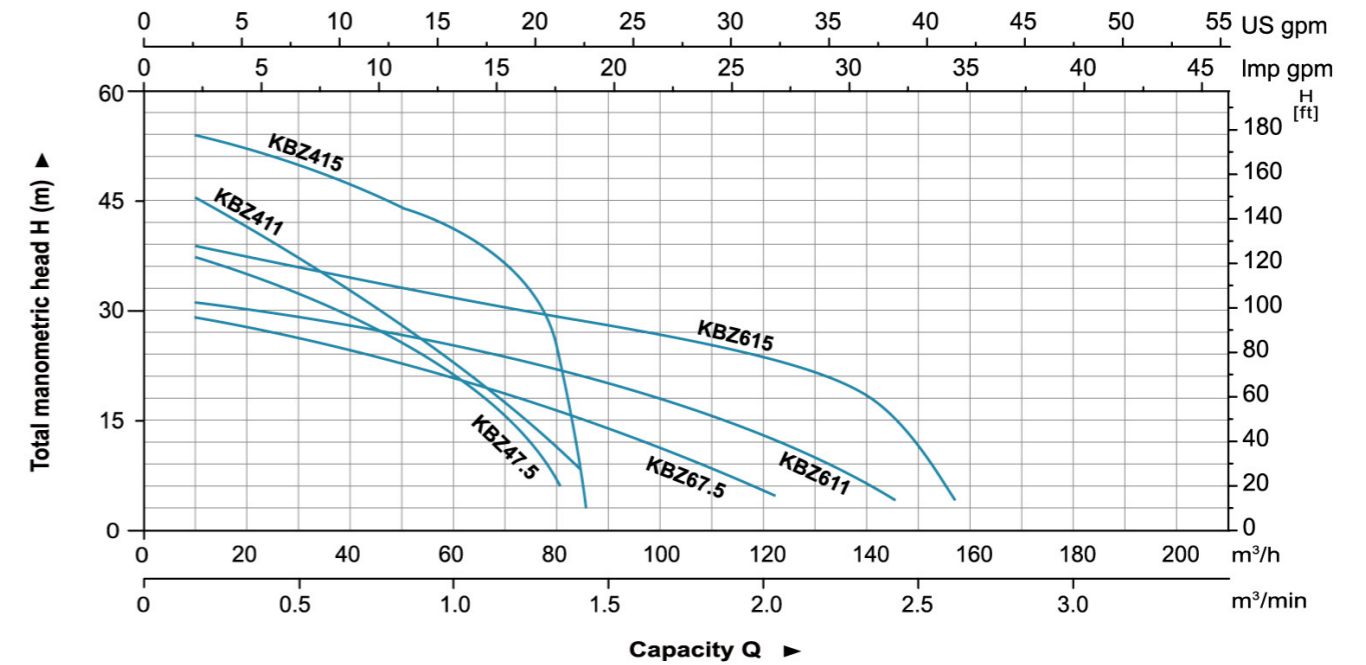
Model	Discharge mm	Power		Max. Head m	Max. Flow		Max. Solid Dia mm
		kW	HP		m³/h	l/min	
KBZ47.5	100	7.5	10	40	84	1400	11.5
KBZ411	100	11	15	48.5	84	1400	11.5
KBZ415	100	15	20	56	84	1400	11.5
KBZ67.5	150	7.5	10	31	124.8	2080	19.5
KBZ611	150	11	15	32	147	2450	19.5
KBZ615	150	15	20	40	156	2600	19.5



Dimension

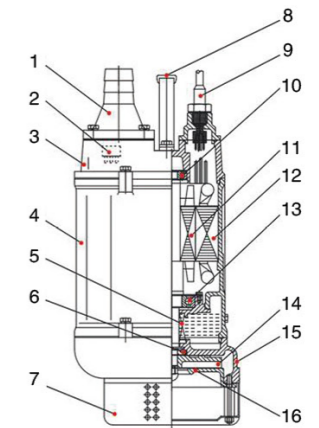
Model	d	A	A1	B	D	H	W1
KBZ47.5	100	330	240	764	314	676	190
KBZ411	100	373	255	807	350	695	190
KBZ67.5	150	330	240	790	314	676	190
KBZ611	150	373	255	807	350	695	190
KBZ415	100	373	255	842	350	755	190
KBZ615	150	373	255	842	350	755	190

Hydraulic Performance Curves



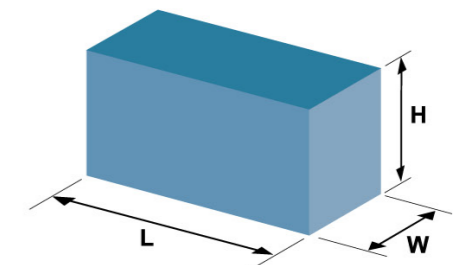
Materials Table

No.	Part	Material	No.	Part	Material
1	Hose coupling	Cast iron	9	Cable	
2	Thermal protector		10	Bearing	
3	Upper cover	Cast iron	11	Rotor	
4	Motor cover	Cast iron	12	Stator	
5	Oil seal		13	Bearing	
6	Mechanical seal	Lower: Sic-Sic Upper: Carbon-Sic (≤2.2kW) Lower: Sic-Sic Upper: Sic-Sic (≥3.7kW)	14	Impeller	High chrome alloy
7	Strainer	Steel	15	Pump body	Cast iron
8	Handle	Steel	16	Inlet plate	Ductile iron



Package Information

Model	N.W (kg)	G.W (kg)	L (mm)	W (mm)	H (mm)	Quantity (PCS/20' TEU)
KBZ47.5	105	114	805	365	390	215
KBZ411	130	140	895	415	440	160
KBZ415	142	153	895	415	440	160
KBZ67.5	106	114	835	365	390	205
KBZ611	133	143	855	415	440	160
KBZ615	145	156	895	415	440	160





Application

- Civil engineering
- Mines, quarries, Coal ore & slurries
- Sewage treatment plants
- General pumping purposes
- Pumping fluid: sludge, liquids containing mud and bentonite

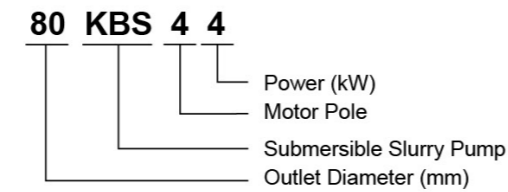
Pump

- Max. liquid temperature: +40°C
- Flow: up to 60 m³/h
- Head: up to 57 m
- Power: 1.5 kW (2 HP) to 15 kW (20 HP)
- Max. Immersion depth: 25 m
- Optional cable length

Motor

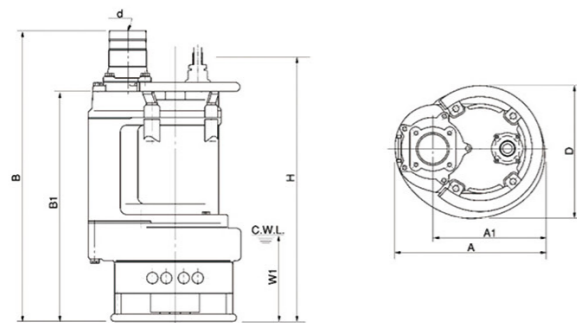
- Copper winding
- Insulation class: B
- Protection class: IP68

Identification Codes



Technical Data

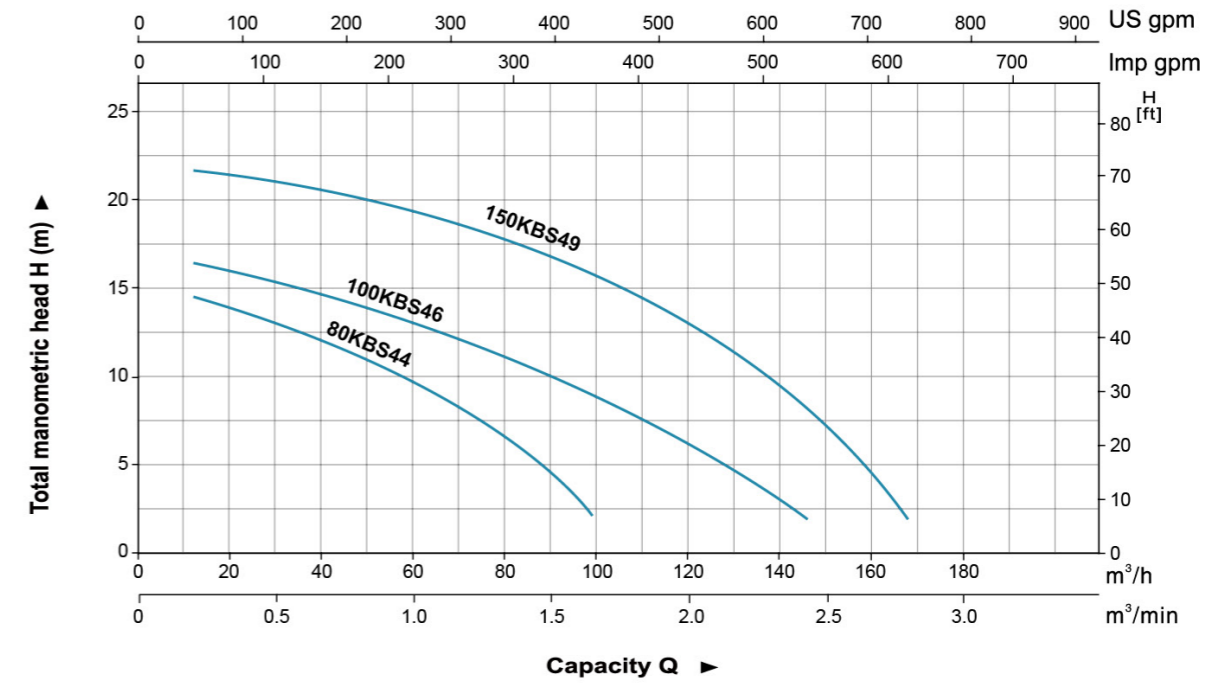
Model	Discharge mm	Power		Max. Head m	Max. Flow		Max. Solid Dia mm
		kW	HP		m³/h	l/min	
80KBS44	80	4	5.5	14.8	99	1650	30
100KBS46	100	6	8	16.9	144	2400	30
150KBS49	150	9	12	21.5	192	3200	30



Dimension

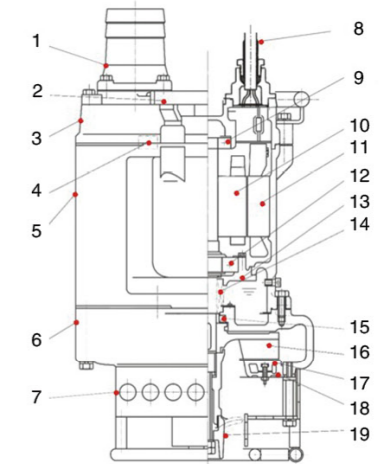
Model	d	A	A1	B	B1	D	H	W1
80KBS44	80	350	260	816	666	326	730	250
100KBS46	100	415	305	844	688	373	730	250
150KBS49	150	434	324	889	709	407	776	250

Hydraulic Performance Curves



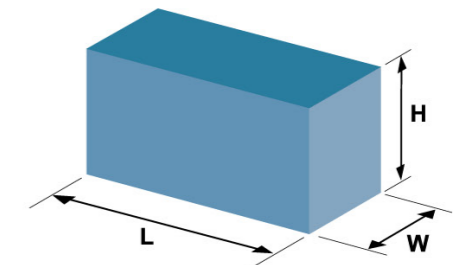
Materials Table

No.	Part	Material	No.	Part	Material
1	Hose coupling	Cast iron	11	Stator	
2	Handle	Steel	12	Bearing	
3	Upper cover	Cast iron	13	Bearing house	Cast iron
4	Motor protector		14	Mechanical seal	Sic-Sic/Sic-Sic
5	Motor body	Cast iron	15	Oil seal	
6	Pump body	Cast iron	16	Impeller	High chrome alloy
7	Strainer	Steel	17	Inlet plate	High chrome alloy
8	Cable		18	Inlet base	Cast iron
9	Bearing		19	Agitator	High chrome alloy
10	Rotor				



Package Information

Model	N.W (kg)	G.W (kg)	L (mm)	W (mm)	H (mm)	Quantity (PCS/20' TEU)
80KBS44	105	113	855	415	400	190
100KBS46	145	156	415	475	990	143
150KBS49	170	184	475	475	1050	118



Pump Range



● Peripheral Pump



● Self-Priming Peripheral Pump



● Jet Pump



● Jet Pump for Deep Wells



● Centrifugal Pump



● Multistage Centrifugal Pump



● Self-Priming Centrifugal Pump



● Stainless Steel Multistage Centrifugal Pump



● Stainless Steel Centrifugal Pump



● Submersible Pump



● Stainless Steel Submersible Pump



● Stainless Steel Submersible Sewage Pump



● Flexible Shaft Pump



● Domestic Lifting Station



● Pool Pump



● Garden Submersible Pump



● Garden Jet Pump



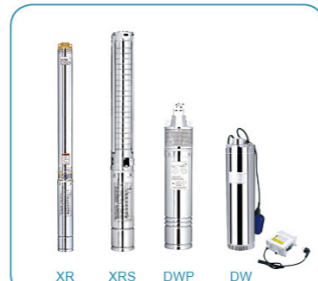
● Pressure Booster System



● Fountain Pump



● Standard Centrifugal Pump



● Submersible Borehole Pump



● Gasoline/Diesel Water Pump



● Booster Pump/Circulation Pump

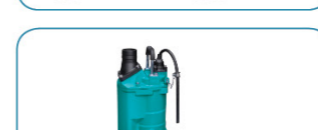
Pump Range



● Submersible Sewage Pump



● Submersible Sewage Pump



● Submersible Dewatering Pump



● Submersible Slurry Pump



● Stainless Steel Vertical Multistage Pump



● Stainless Steel Horizontal Multistage Pump



● Semi-open Impeller Stainless Steel Centrifugal Pump



● Stainless Steel Standard Centrifugal Pump



● Pressure Booster System



● Vertical In-line Pump



● Bare Shaft End Suction Centrifugal Pump



● End Suction Centrifugal Pump